

CENTERLINE SURVEY PLAT

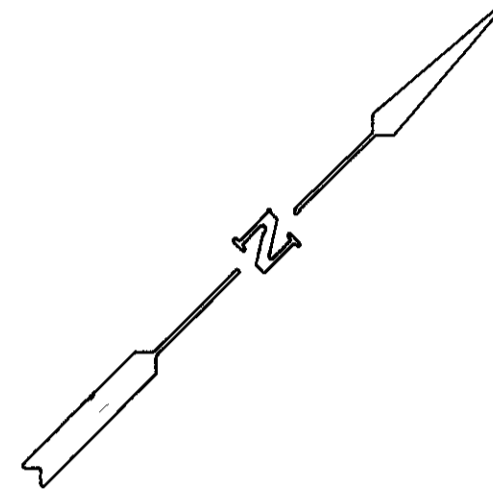
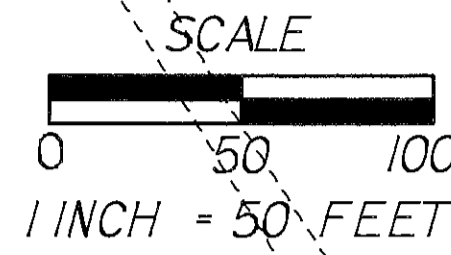
HOC - 93 - 13.26

HOCKING COUNTY, FALLS TOWNSHIP

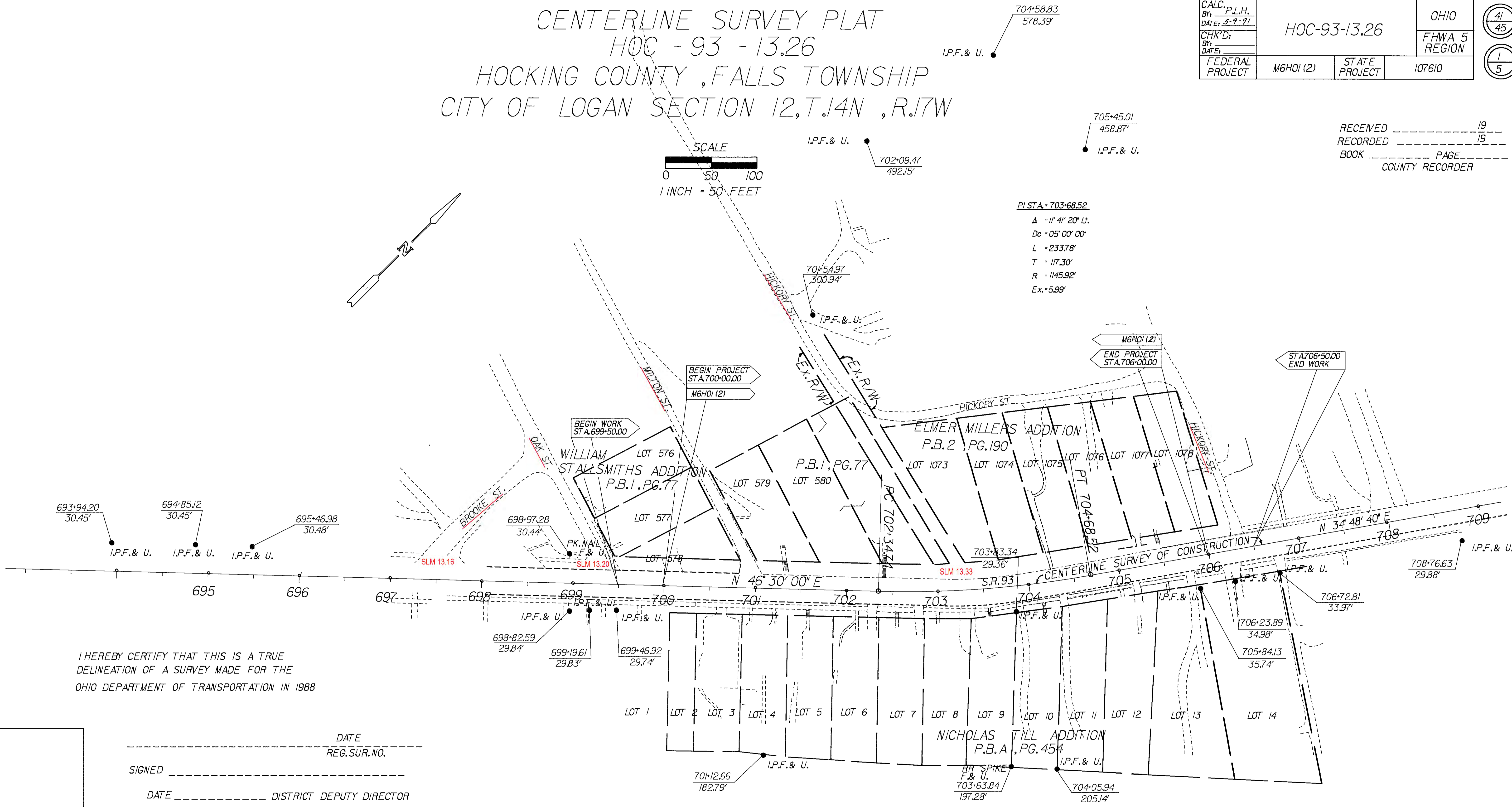
CITY OF LOGAN SECTION 12, T.14N, R.17W

CALC. BY: P.L.H.	HOC-93-13.26		OHIO	(41/45)
DATE: 5-9-91			FHWA 5 REGION	(1/5)
CHK'D: BY:	FEDERAL PROJECT	STATE PROJECT	107610	
DATE:	M6H01 (2)			

RECEIVED _____ 19__
 RECORDED _____ 19__
 BOOK _____ PAGE _____
 COUNTY RECORDER



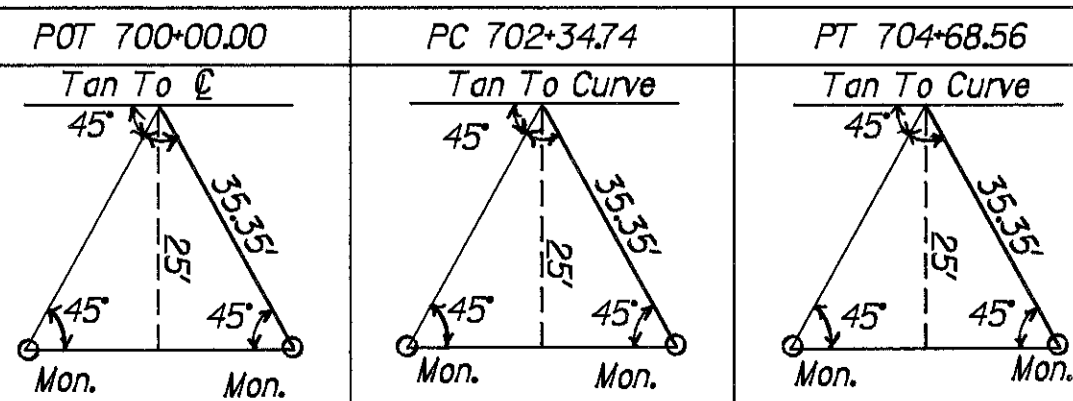
PI STA = 703+68.52
 $\Delta = 11^\circ 41' 20''$ Lt.
 $Dc = 05^\circ 00' 00''$
 $L = 233.78'$
 $T = 17.30'$
 $R = 1145.92'$
 $Ex. = 5.99'$



I HEREBY CERTIFY THAT THIS IS A TRUE DELINEATION OF A SURVEY MADE FOR THE OHIO DEPARTMENT OF TRANSPORTATION IN 1988

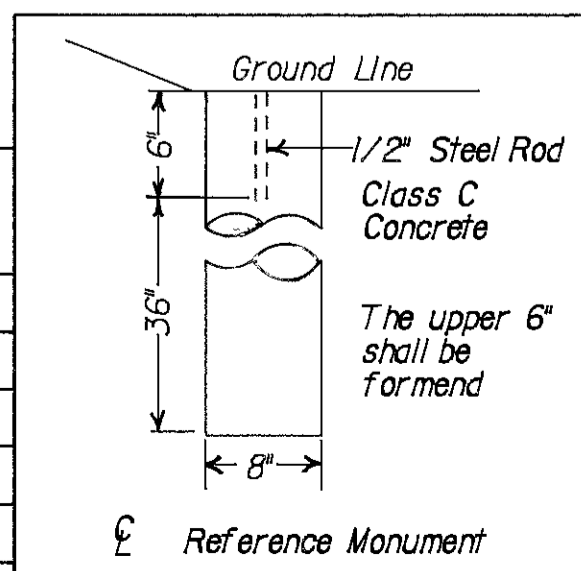
DATE _____
 REG. SUR. NO. _____
 SIGNED _____
 DATE _____ DISTRICT DEPUTY DIRECTOR

SEAL



Centerline Reference Monuments to be set left and right of Centerline at the following locations during construction of S.R. (93)

POT 706+50.00	25' Lt. 25' Rt.



ITEM 604 CENTERLINE REFERENCE MONUMENTS SHALL BE SET BY THE CONTRACTOR AS SHOWN ON THESE PLANS DURING CONSTRUCTION. THE MONUMENTS WILL HAVE AN ACCURACY OF + OR - 0.02 FEET THE MONUMENTS WILL BE SET UNDER THE DIRECTION OF THE DISTRICT 10 SURVEY SUPERVISOR.

REV.	DATE	DESCRIPTION

CENTERLINE PLAT