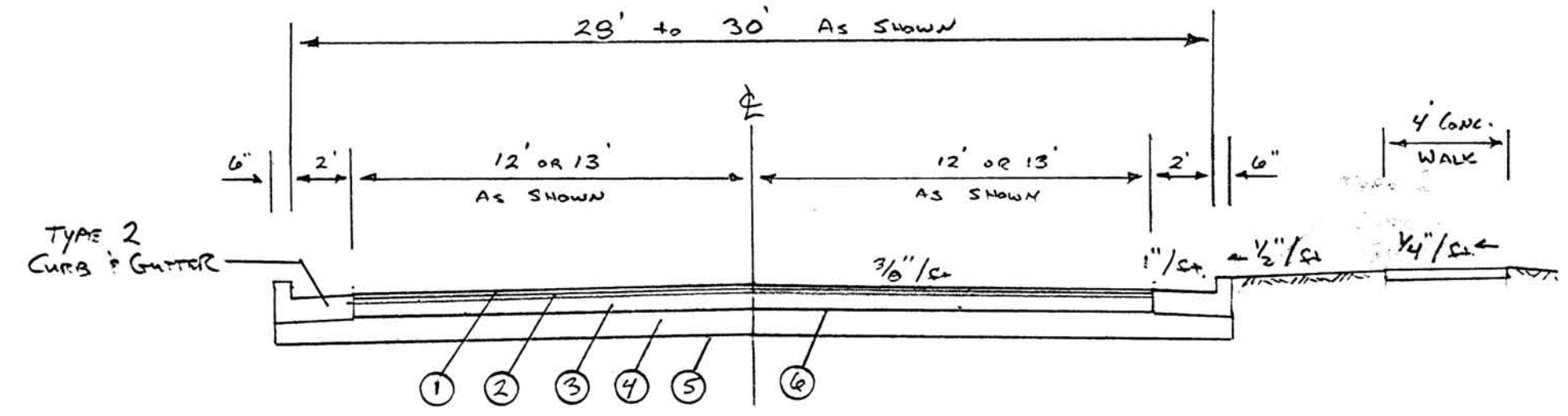


NOTE: PIPE TO BE STEEL CASING SUPPLIED BY COUNTY ENCASED IN "K-CRETE".



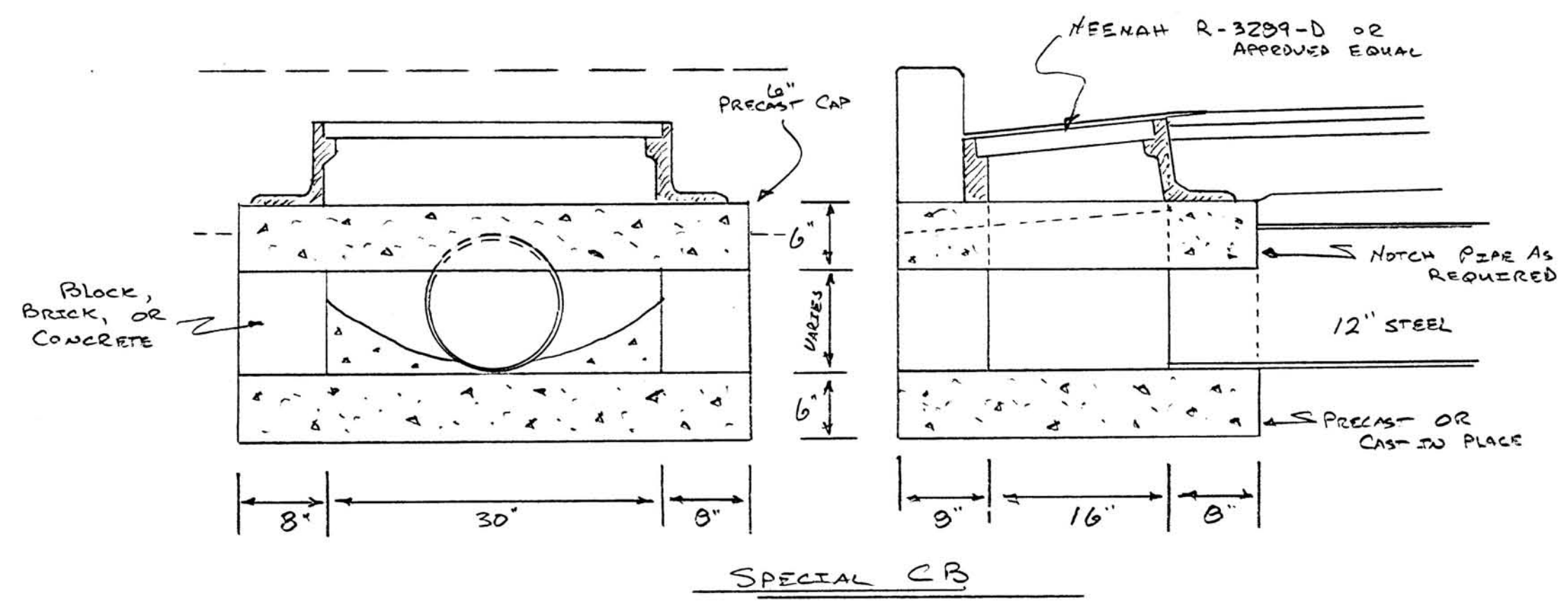
- ① = 1 1/4" ITEM 44B, TYPE 1, PG 64-22 SURFACE COURSE
- ② = 1 1/4" ITEM 44B, TYPE 1, PG 64-22 INTERMEDIATE COURSE
- ③ = 5" ITEM 301 BITUMINOUS AGGREGATE BASE (TWO LAYERS)
- ④ = 10" ITEM 304 - WELL COMPACTED AGGREGATE BASE
- ⑤ = ITEM 204 - WELL COMPACTED SUBGRADE
- ⑥ = ITEM 40B - BITUMINOUS PRIME COAT (0.40 gal/sq)

STATION 9+00 TO 10+10 (6+00 AVE.)

PAVE EXISTING 24" SURFACE WITH 1 1/4" ITEM 44B, TYPE 1, PG 64-22 SURFACE COURSE & ITEM 407, TACK COAT @ 0.05 gal/sq

WALKS

- WALKS TO BE 4' WIDE, 4" THICK - CLASS "C" CONCRETE.
- SCORE & EDGE EVERY 5', WITH EXPANSION JOINTS PLACED EVERY 50'
- FLOAT & SMOOTH WITH WET BROOM FINISH
- PLACE ON 4" SAND BASE



CALIFORNIA AVE. IMPROVEMENTS
 ϕ PROFILE / TYPICAL SECTION