

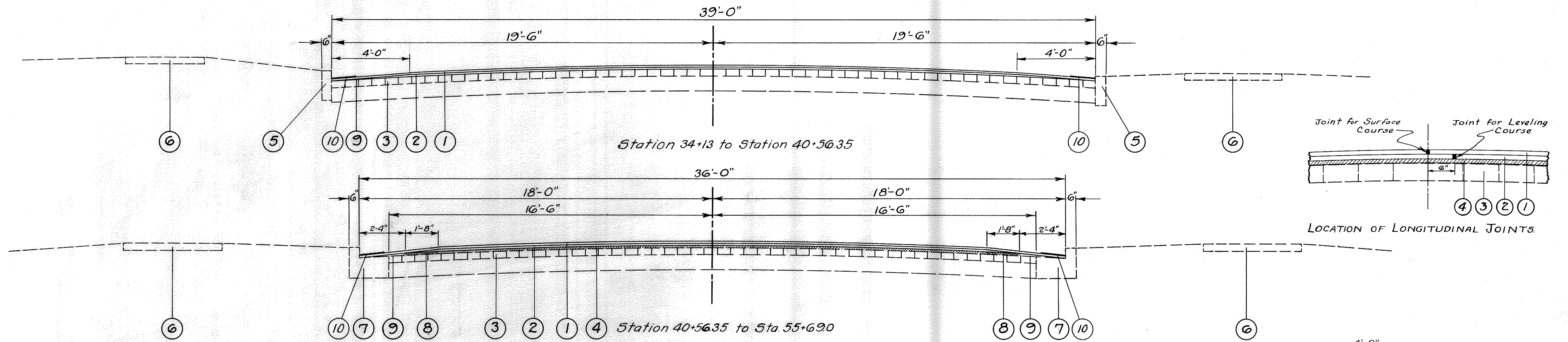
TYPICAL SECTIONS

TYPE T-35

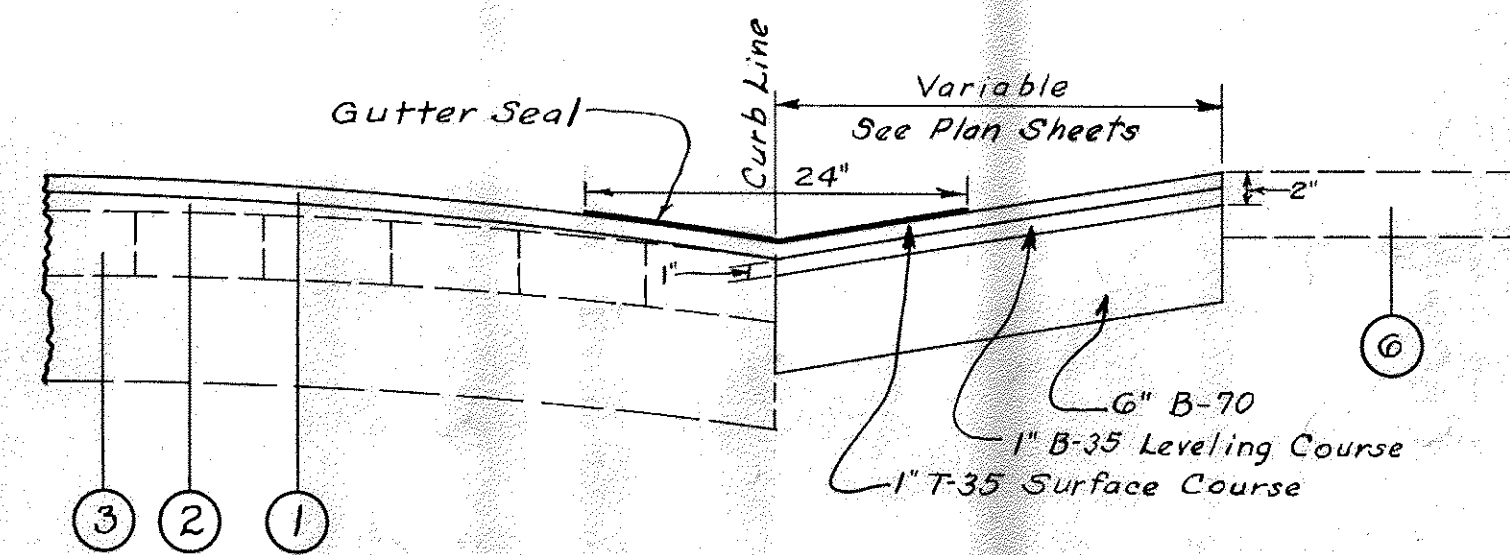
FED. RD. DIST. NO.	STATE	PROJECT	FISCAL YEAR
10	OHIO		1945

2
7

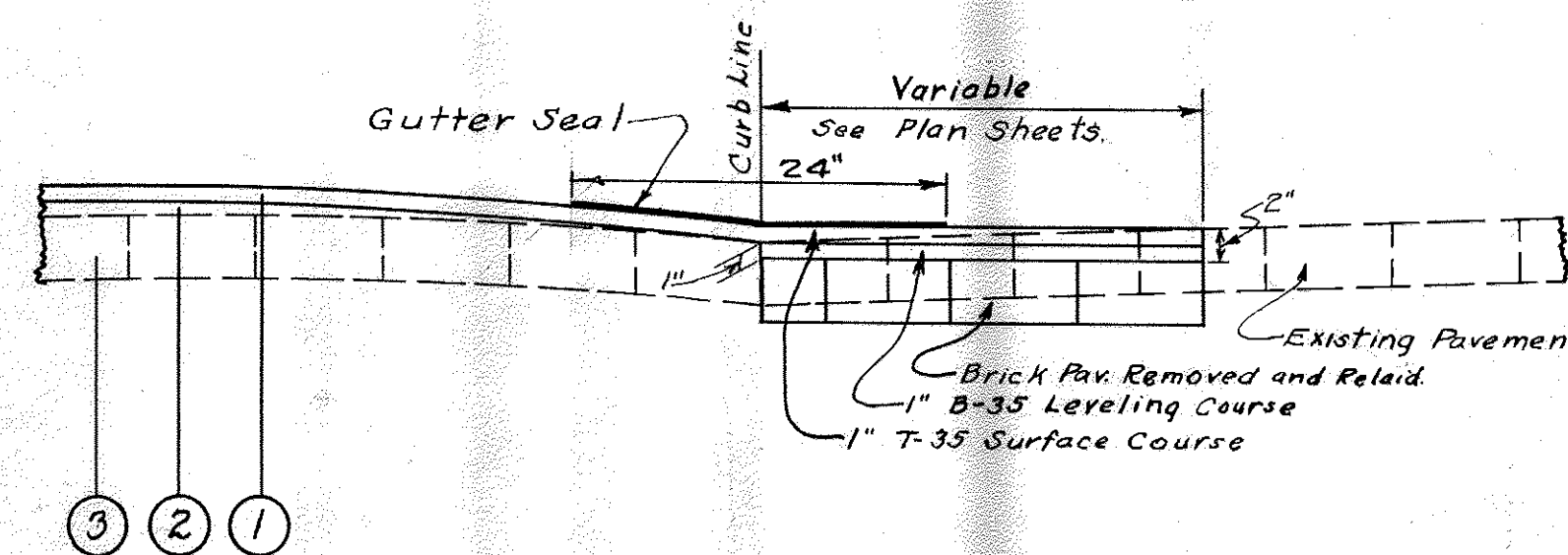
HOCKING COUNTY
S.H. 360 Sec. Logan (pt).



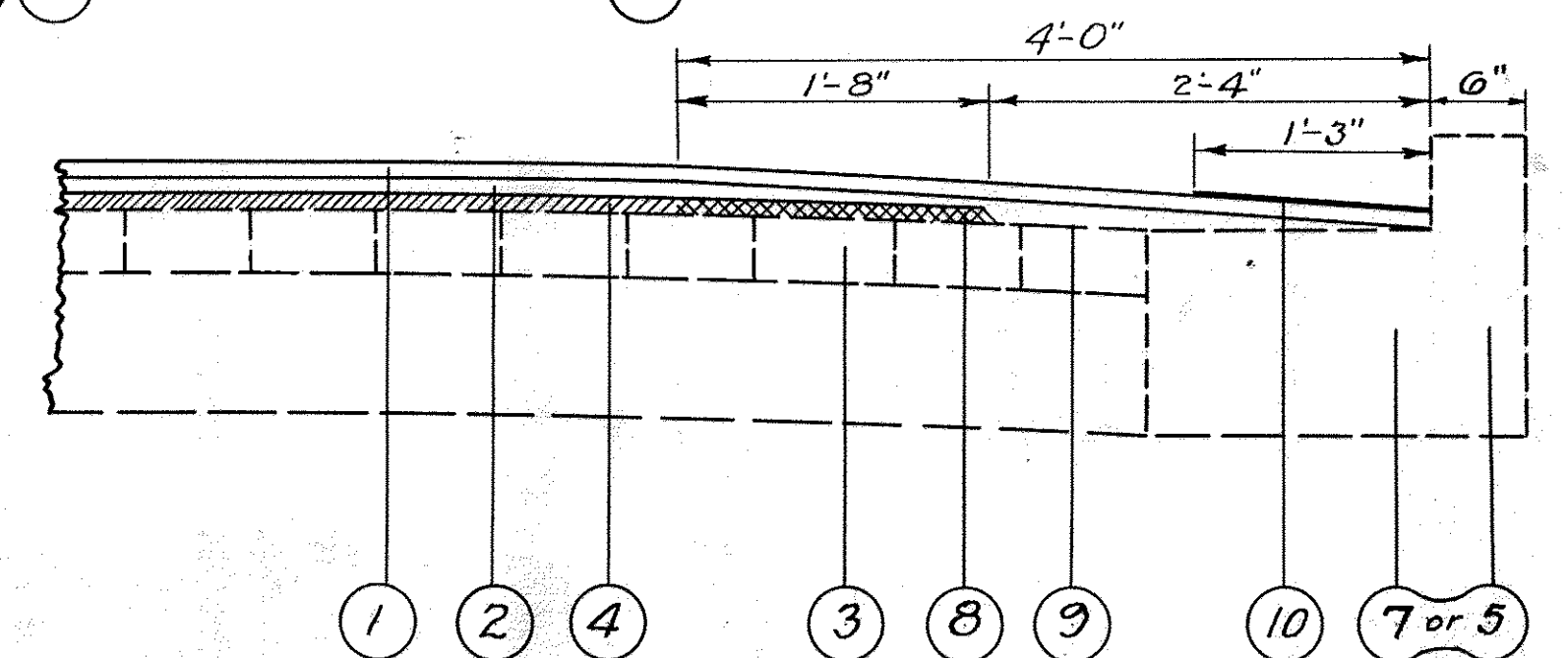
- ① Item T-35 1" Asphaltic Concrete Surface Course Type 'B'.
- ② Item B-35 1" Asphaltic Concrete Leveling Course.
- ③ Existing Brick Pavt. on Rolled Gravel Base.
- ④ Existing Bituminous Concrete Patching and Resurfacing (1"± thick).
- ⑤ Existing Stone Curb, to be reset where low.
- ⑥ Existing Sidewalk.
- ⑦ Existing Concrete Curb and Gutter.
- ⑧ 1'-8" Bituminous Surface Course to be removed.
- ⑨ Item T-30 Bituminous Prime Coat, Sec. M-5.12 AE-3 including sand cover on all pavement surfaces except bituminous concrete.
- ⑩ Gutter Seal.



DETAIL SHOWING CONSTRUCTION AT FILLING STATION APPROACHES.

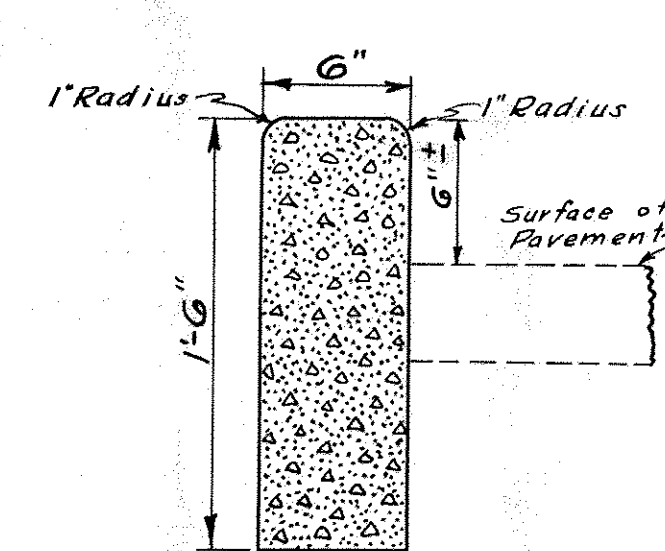


DETAIL SHOWING CONSTRUCTION AT STREET AND ALLEY INTERSECTIONS.

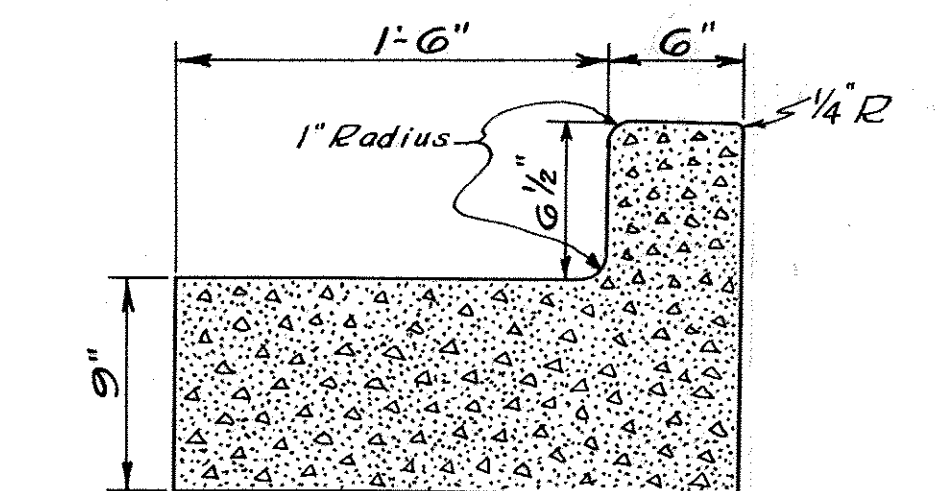


DETAIL SHOWING GUTTER RESURFACING.

Special care shall be exercised during construction to obtain maximum compaction of bituminous concrete in all gutters.



CONCRETE CURB
Type G Modified



DETAIL OF CURB & GUTTER

APPROVED *Charles A. Ferguson*
DIVISION ENGINEER
DATE: April 11th 1944.