

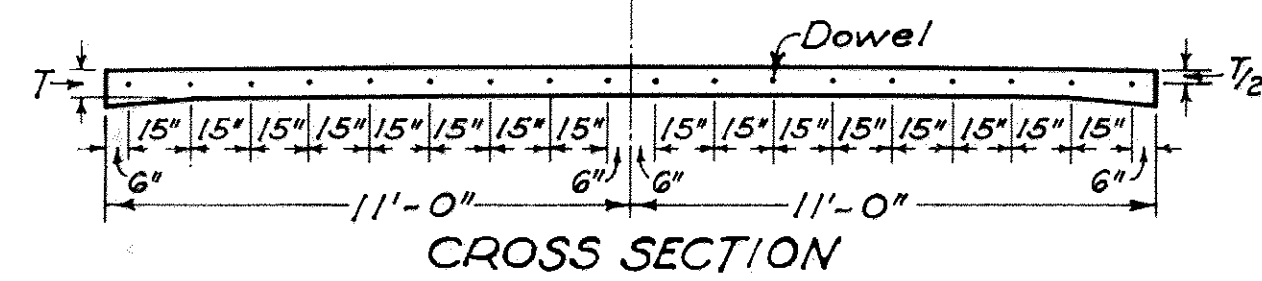
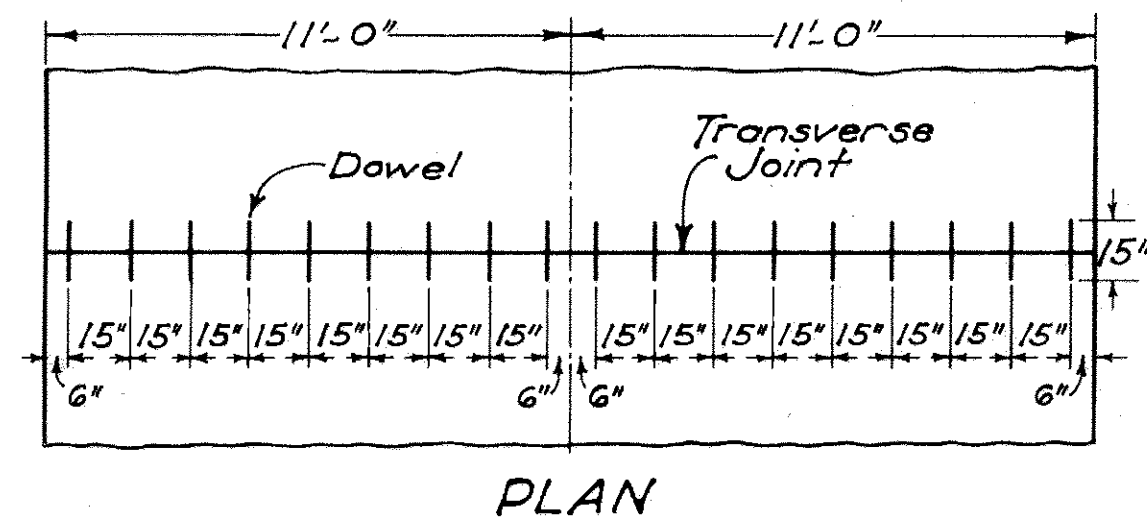
TRANSVERSE JOINTS CONSTRUCTION JOINT

| | | | |
|--------------------|-------|---------|-------------|
| FED. RD. DIST. NO. | STATE | PROJECT | FISCAL YEAR |
| 10 | OHIO | | 1940 |

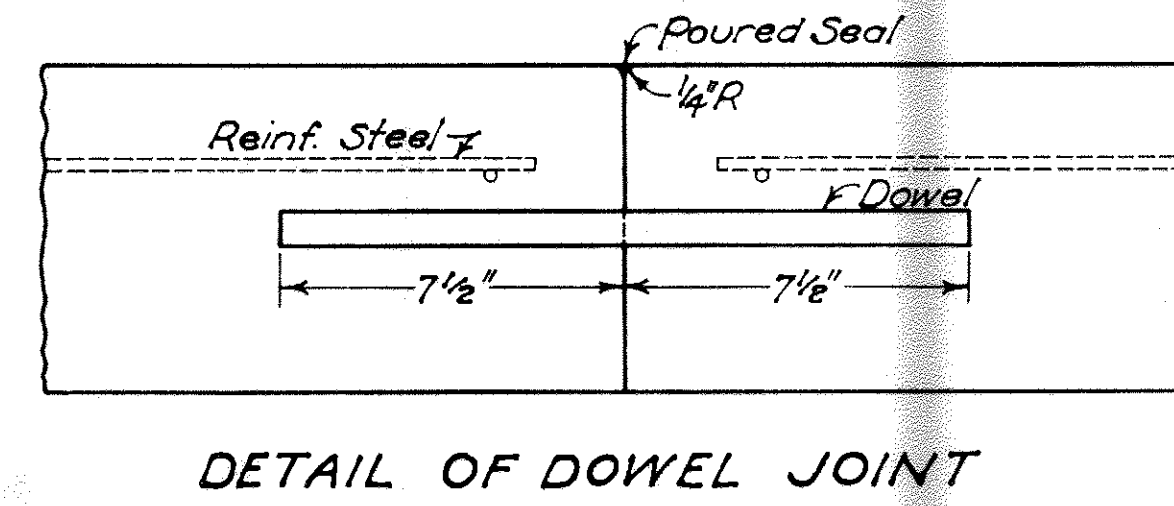
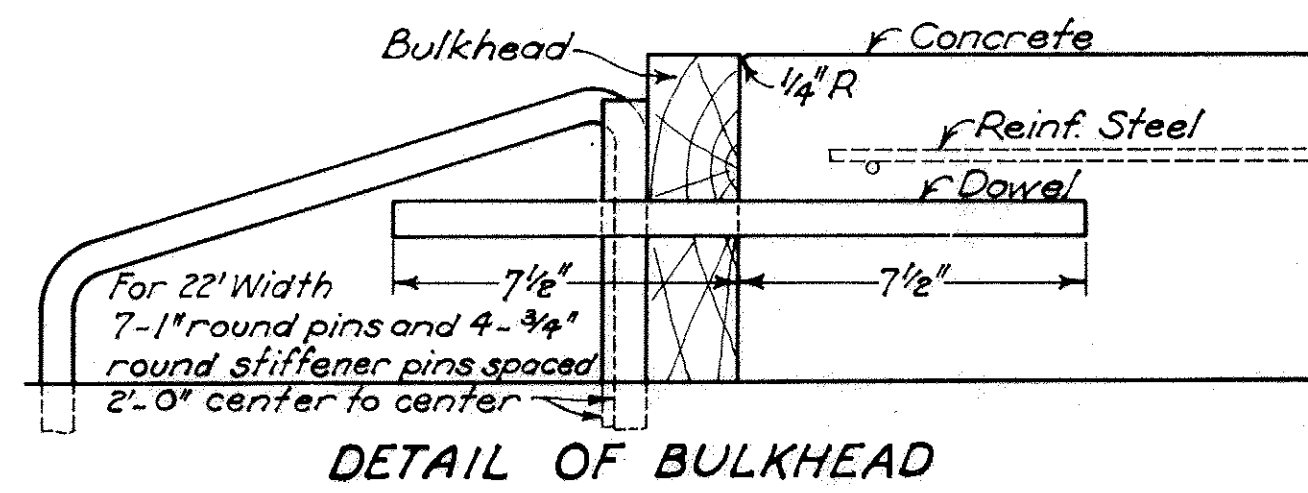
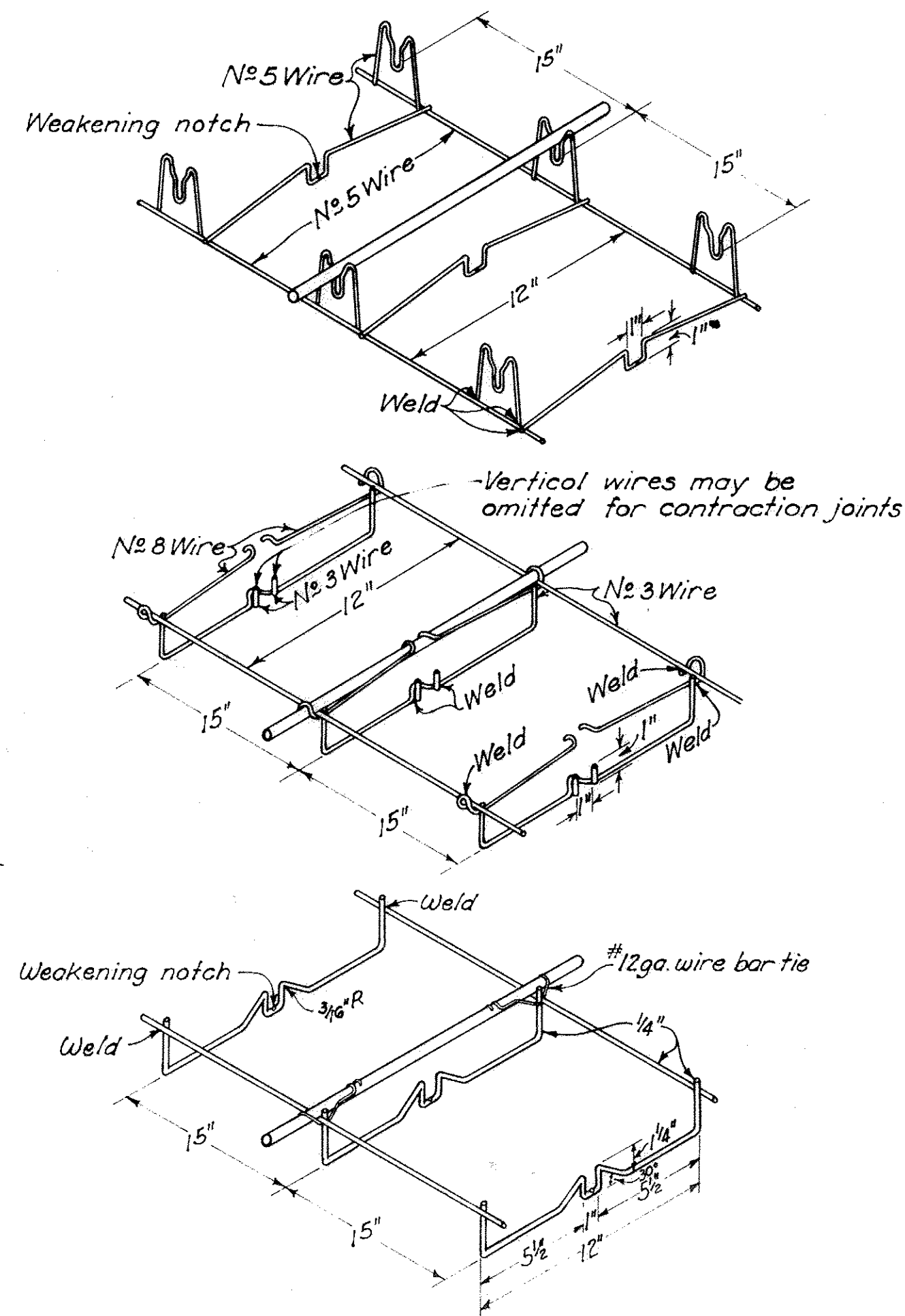
HOCKING COUNTY
S.H.360 SEC. LOGAN (PT.), F & D (PT.)

2-B
13

DOWEL SPACING



DOWEL SUPPORT UNITS



NOTES

DOWELS. All dowels shall be $\frac{3}{4}$ " inch round, straight, smooth bars, free from burring and flattening at ends. The entire dowel shall be thoroughly coated before placing in the pavement using either Bit Mat, Sec. M-5.11 SC-2 or heavier, or an oil such as 600 W or equal. Prior to placing, all dowels shall be assembled in a unit which is to remain in place for construction, contraction or expansion joints. The length of the unit shall be not less than the distance between longitudinal joints and sufficient support shall be provided to hold the dowels accurately perpendicular to the joint. Expansion joint material shall be forced over the lower cross wires so as to fit snugly on the subgrade. The design of the dowel support unit may be as shown herewith or may be an approved equal, and it shall be shop assembled. When the lane width varies from 11 feet, the spacing of the dowels shall be 15 inches and the 6" end spaces shall be equally increased or decreased and shall be less than 10 1/2" but not less than 3".

CONSTRUCTION JOINTS. A bulkhead shall be constructed to permit dowels to extend through the joint. Care shall be taken in removing bulkhead and placing adjacent concrete to see that dowels are embedded in the concrete without being bent.

DATE
3-1-39
3-28-39
5-4-39
7-20-39
9-18-39