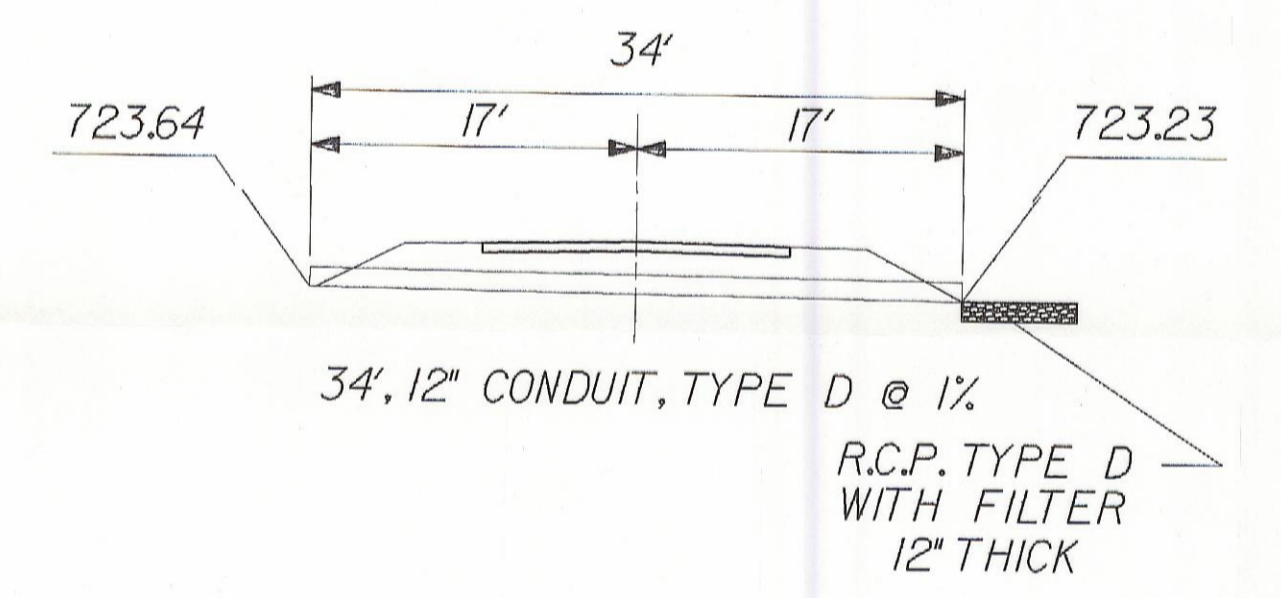
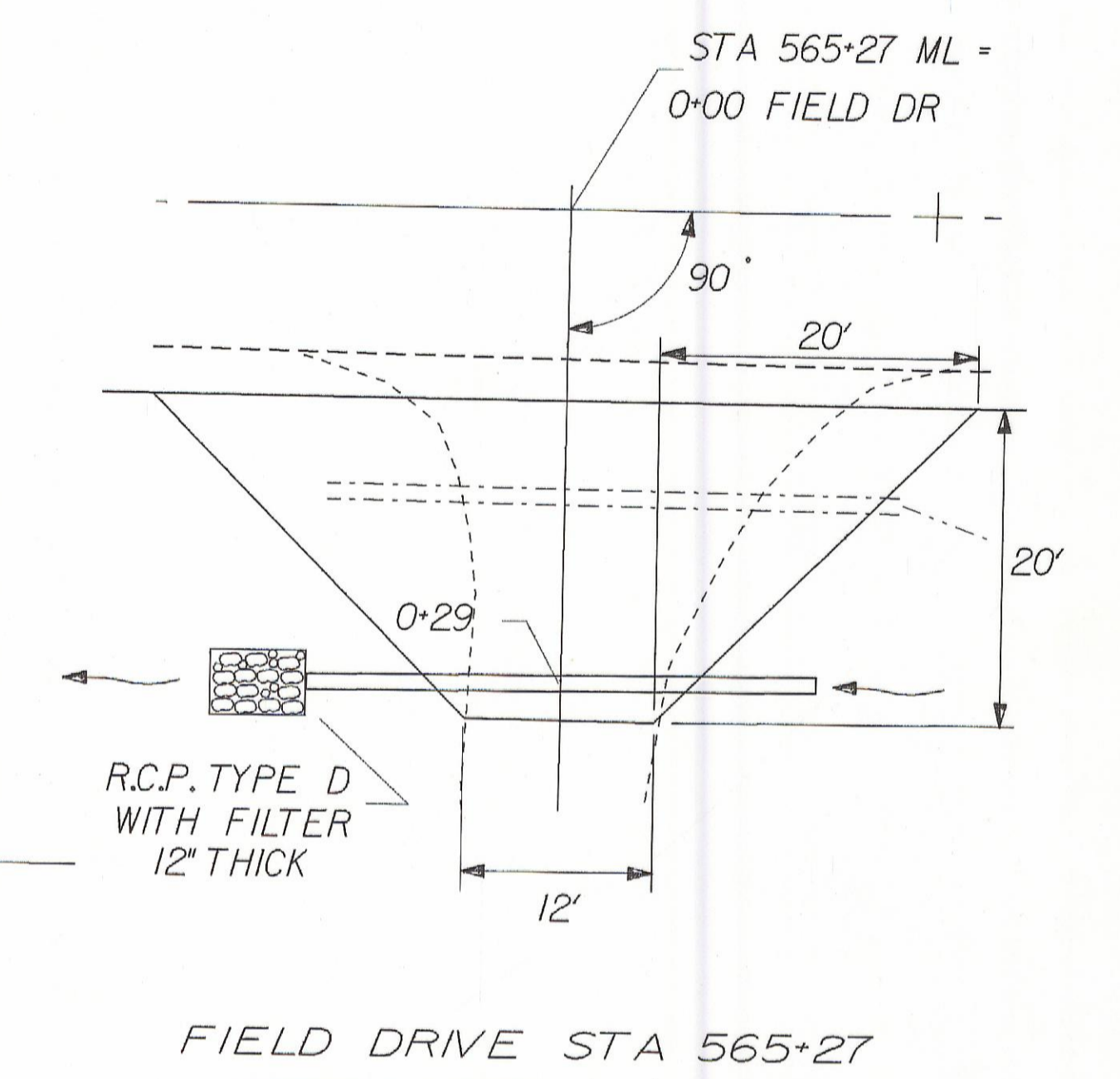
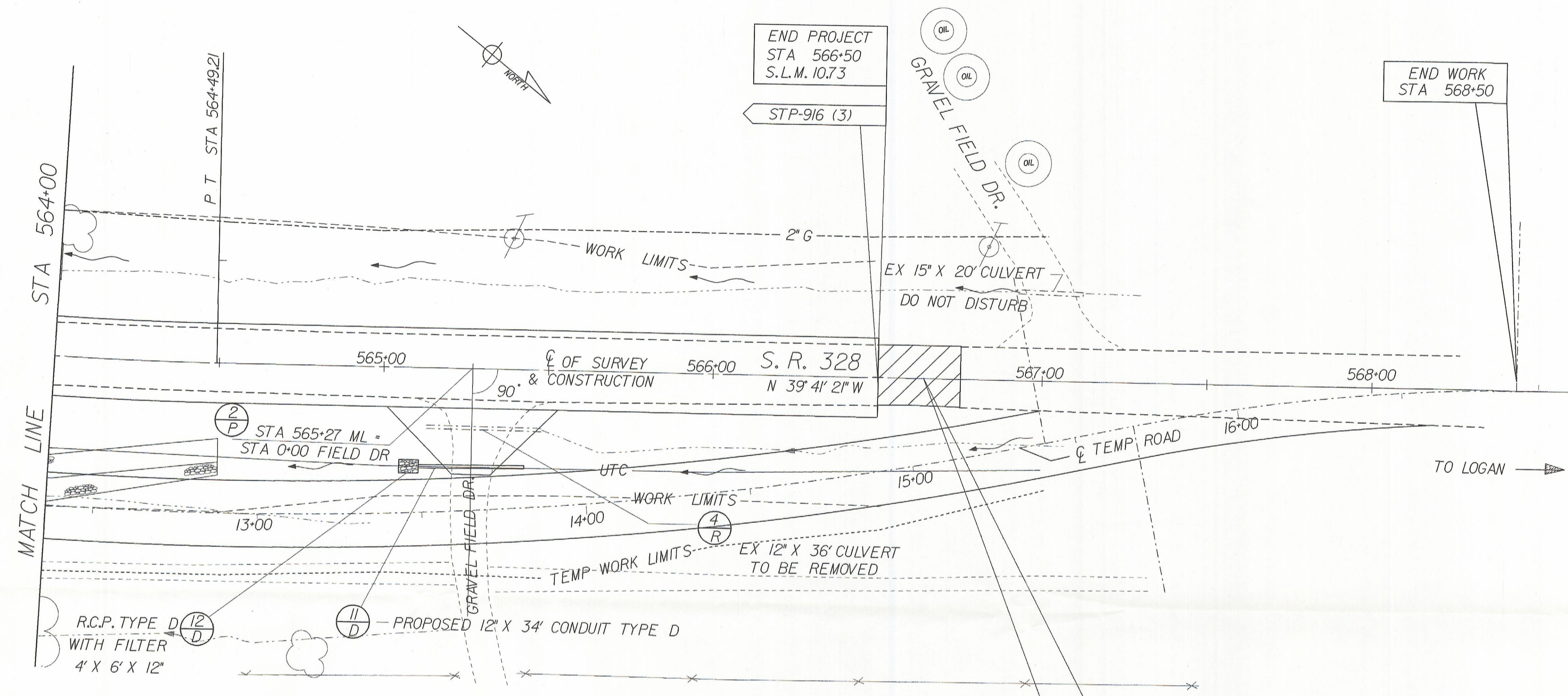
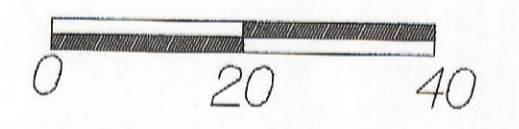


Calculated By: GRS Date: 3/20/92  
 Checked By: KDD Date: 3/20/92

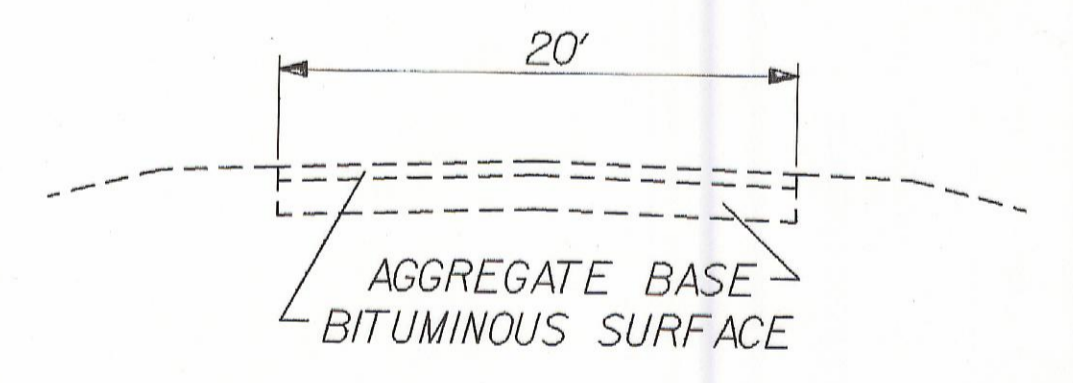
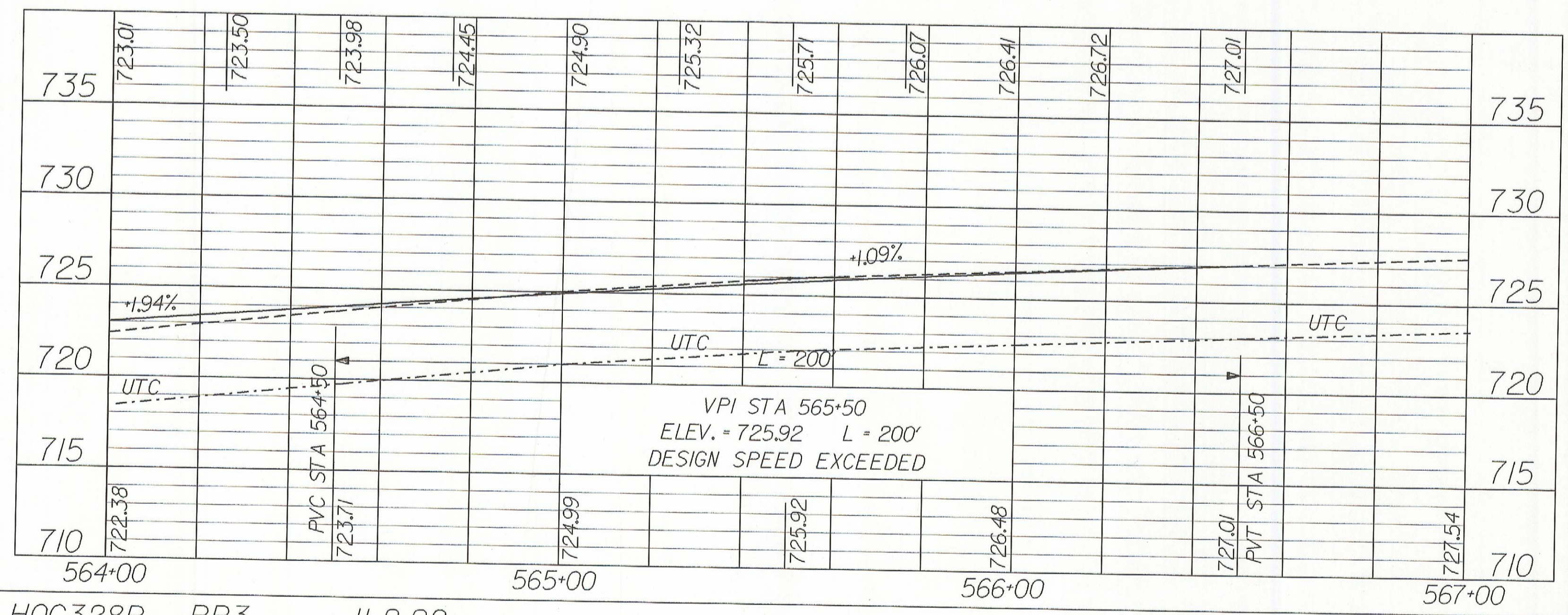
FED. RD. DIVISION	STATE	PROJECT
5	OHIO	HOC-328-10.51



FOR PAVEMENT ELEVATIONS SEE SHEET NO. 9  
 FOR QUANTITIES SEE SUB SUMMARY SHEET NO. 10  
 FOR TEMPORARY ROAD LAYOUT SEE SHEET NO. 28



25' RESURFACING  
 BEGIN STA 566+50  
 END STA 566+75



ITEM 304 AGGREGATE BASE (T-8)  
 AREA = (12\*52) / 2 X 20 = 640 SQ.FT.  
 VOLUME = 640 X 8/12 / 27 = 15.8 CU. YDS.  
 16 CU.YDS.  
 QUANTITIES CARRIED TO SHEET NO. 12