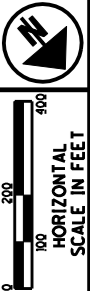


HOC-328-10.99

HOCKING COUNTY
SECTION 33
GREEN TOWNSHIP
TOWN 13, RANGE 16

BASIS FOR BEARINGS:

ALL BEARINGS SHOWN ARE FOR PROJECT USE ONLY.
BEARINGS ARE BASED ON STATE PLANE COORDINATE
SYSTEM (OHIO SOUTH ZONE, NAD 83)



PID NO. **81354**

R/W DESIGNER: **GKW**
R/W REVIEWER: **BER**

CENTERLINE PLAT

HOC-328-10.99

SOUTHEAST CORNER
SECTION 33
(CALCULATED)

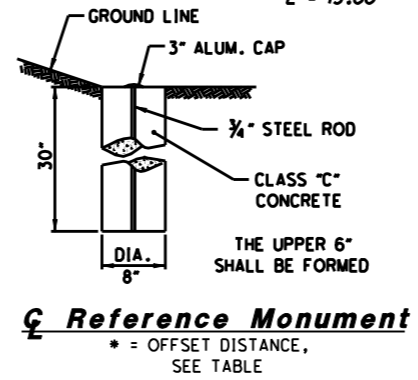
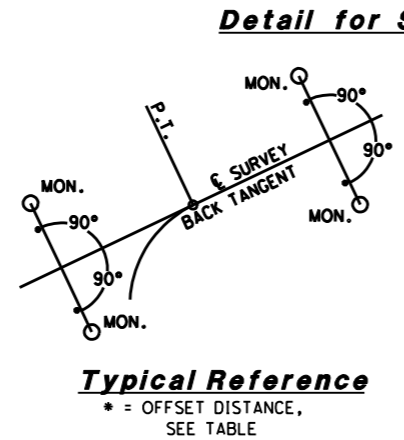
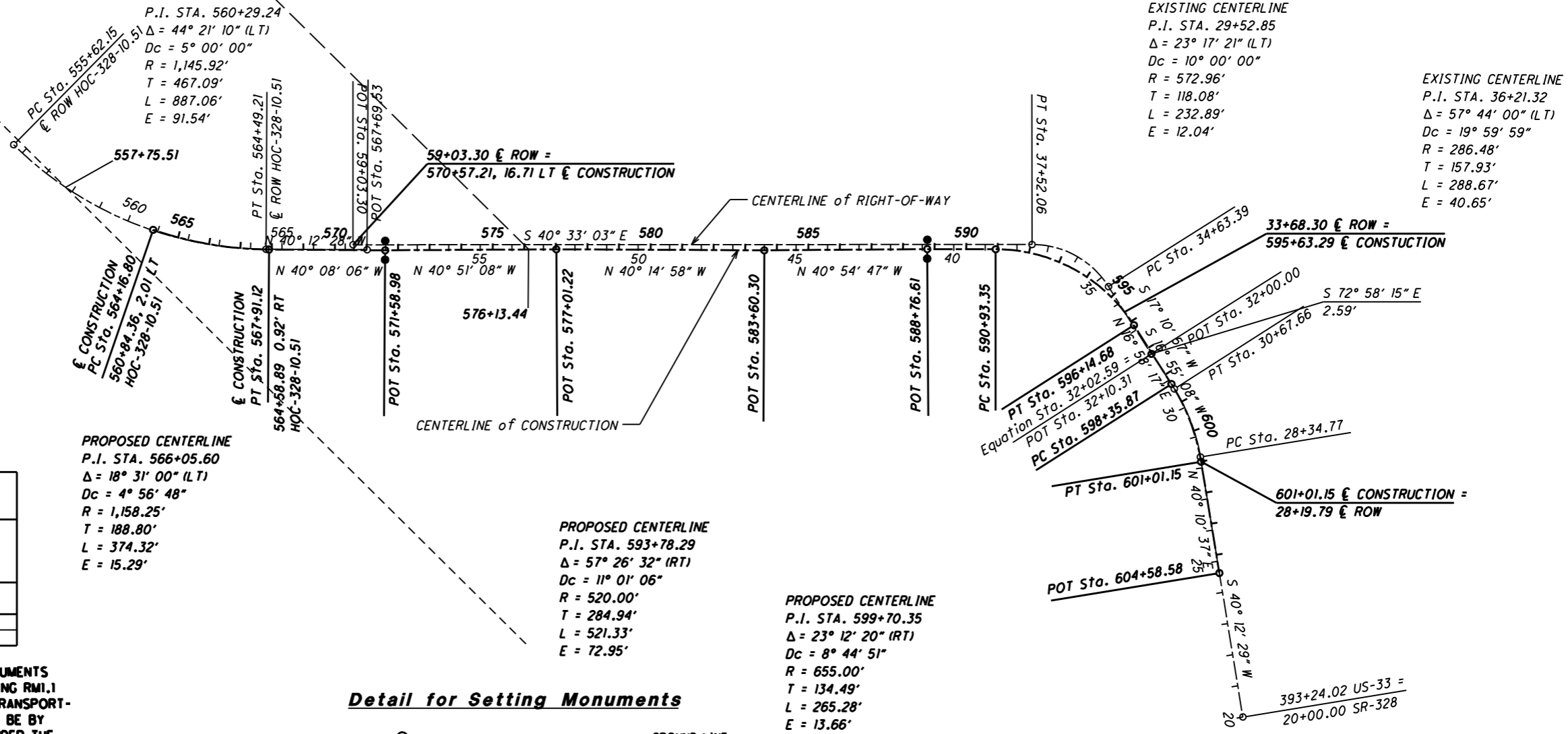
- MONUMENT LEGEND**
- ☒ EXISTING R/W MONUMENT BOX
 - ☑ PROPOSED R/W MONUMENT BOX
 - ⊙ EXISTING CONCRETE MONUMENT
 - PROPOSED CONCRETE MONUMENT
 - ⚡ RAILROAD SPIKE FOUND
 - ⚡ RAILROAD SPIKE SET
 - ⊙ I.P.F. IRON PIN FOUND
 - ⊙ I.P.F. IRON PIN FOUND W/ ID CAP
 - ⊙ I.P.S. IRON PIN SET W/ ID CAP
 - ⊙ I.P.F. IRON PIPE FOUND
 - ⊙ I.P.S. IRON PIPE SET
 - ⊙ P.K.F. P.K. NAIL FOUND
 - ⊙ P.K.S. P.K. NAIL SET

MONUMENTS TO BE SET AFTER CONSTRUCTION

E of RIGHT OF WAY	DISTANCE FROM E of RIGHT OF WAY	
	LEFT	RIGHT
S.R. 328		
571+58.98	30.00'	30.00'
588+76.61	30.00'	30.00'

REFERENCE MONUMENTS AND RIGHT OF WAY MONUMENTS ARE SHOWN ON STANDARD CONSTRUCTION DRAWING RMI.1 (REV. 4-18-03) OF THE OHIO DEPARTMENT OF TRANSPORTATION. THE PLACING OF THE MONUMENTS SHALL BE BY THE OHIO DEPARTMENT OF TRANSPORTATION UNDER THE DIRECTION OF THE DISTRICT 10 SURVEY OPERATIONS MANAGER.

NOTE: THE EXISTING R/W WIDTH AND LOCATION WERE DETERMINED USING RIGHT-OF-WAY PLANS HOC-33-10.51, HOC-328-10.51 AND S.R. 328 SEC. 6.30, ON FILE AT THE DISTRICT 10 OFFICE, MAIRETIA, OHIO.



I HEREBY CERTIFY THAT THIS PLAT IS A TRUE DELINEATION OF A SURVEY MADE FOR BY THE OHIO DEPARTMENT OF TRANSPORTATION IN 2006 CANTER GPS SERVICES UNDER THE DIRECTION AND SUPERVISION OF ROBERT C. CANTER S-7226.

THE ESTABLISHMENT OF THE PROPERTY LINES AND EXISTING RIGHT OF WAY LINES SHOWN ON THIS PLAN AS OF THIS DATE WERE PERFORMED BY ME OR UNDER MY DIRECT SUPERVISION.

BY _____
GREGORY K. WRIGHT
SURVEYOR NO. S-6535 DATE _____

SURVEYORS SEAL

RECEIVED _____, 20____
RECORDED _____, 20____
BOOK _____ PAGE _____
COUNTY RECORDER

SIGNED: _____
DATE: _____