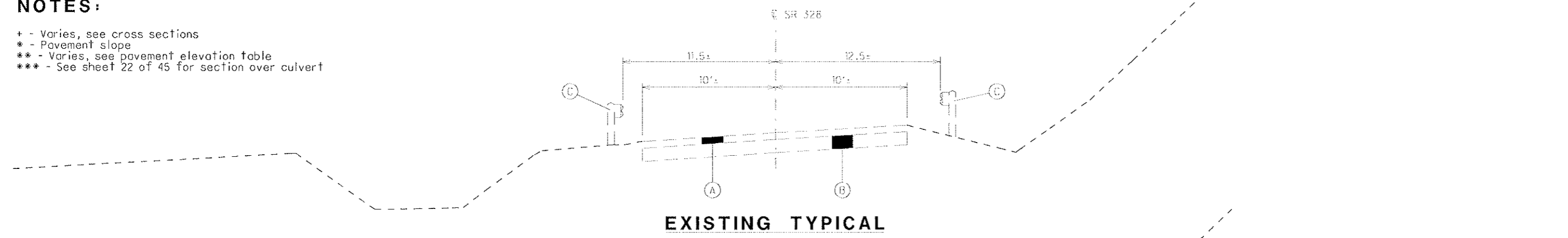
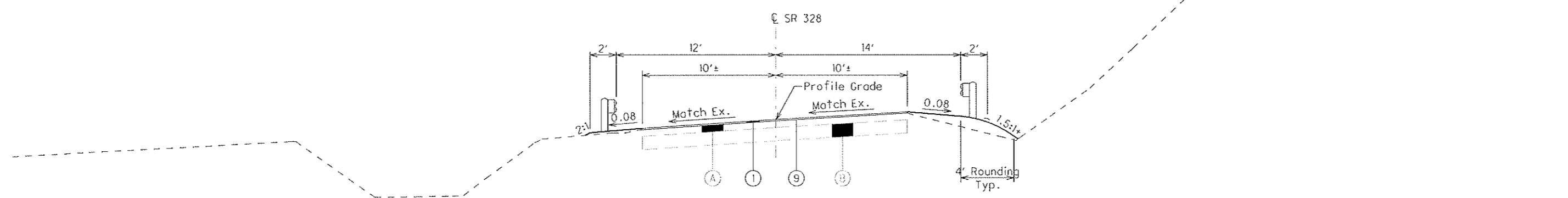


**NOTES:**

- + - Varies, see cross sections
- \* - Pavement slope
- \*\* - Varies, see pavement elevation table
- \*\*\* - See sheet 22 of 45 for section over culvert

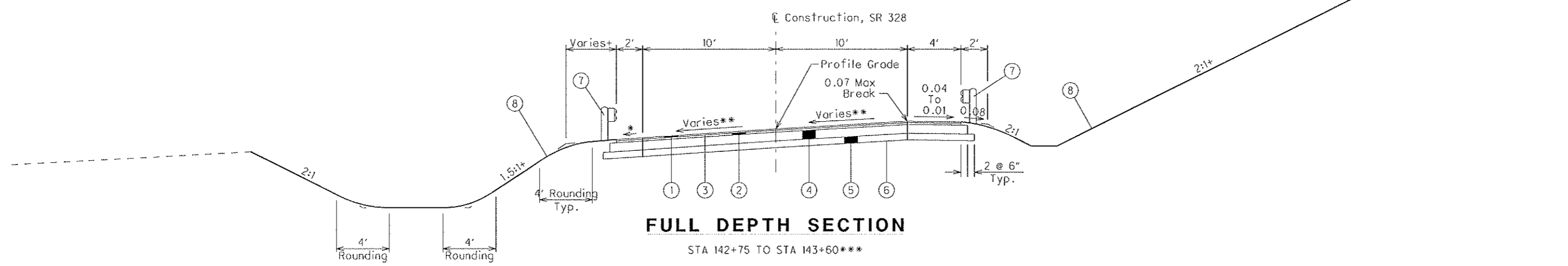


**EXISTING TYPICAL**



**OVERLAY SECTION**

STA 142+40 TO STA 142+75  
STA 143+60 TO STA 143+85



**FULL DEPTH SECTION**

STA 142+75 TO STA 143+60\*\*\*

**LEGEND**

- ① ITEM 448 - 1/4" ASPHALT CONCRETE SURFACE COURSE, TYPE 1, PG64-22
- ② ITEM 448 - 1 3/4" ASPHALT CONCRETE INTERMEDIATE COURSE, TYPE 2, PG64-22
- ③ ITEM 407 - TACK COAT FOR INTERMEDIATE COURSE
- ④ ITEM 301 - 7" ASPHALT CONCRETE BASE, PG64-22
- ⑤ ITEM 304 - 6" AGGREGATE BASE
- ⑥ ITEM 204 - SUBGRADE COMPACTION
- ⑦ ITEM 606 - GUARDRAIL, TYPE 5
- ⑧ ITEM 659 - SEEDING AND MULCHING
- ⑨ ITEM 407 - TACK COAT
- Ⓐ Asphalt Concrete
- Ⓑ Aggregate Base
- Ⓒ Existing Guardrail

**PAVEMENT ELEVATION TABLE**

LT SHOULDER OFFSET	LT SHOULDER ELEVATION	E.P. OFFSET	E.P. ELEVATION	LT SUPER	STATION	ELEVATION	RT SUPER	E.P. ELEVATION	E.P. OFFSET	RT SHOULDER ELEVATION	RT SHOULDER OFFSET
12'	810.12	10'	810.29	-0.084	142+75	811.13	+0.055	811.68	10'	811.62	14'
12'	810.75	10'	810.91	-0.079	143+00	811.70	+0.056	812.26	10'	812.20	14'
12'	811.26	10'	811.41	-0.073	143+25	812.14	+0.057	812.71	10'	812.66	14'
12'	811.65	10'	811.79	-0.068	143+50	812.47	+0.058	813.05	10'	813.00	14'
12'	811.81	10'	811.94	-0.066	143+60	812.60	+0.058	813.18	10'	813.13	14'