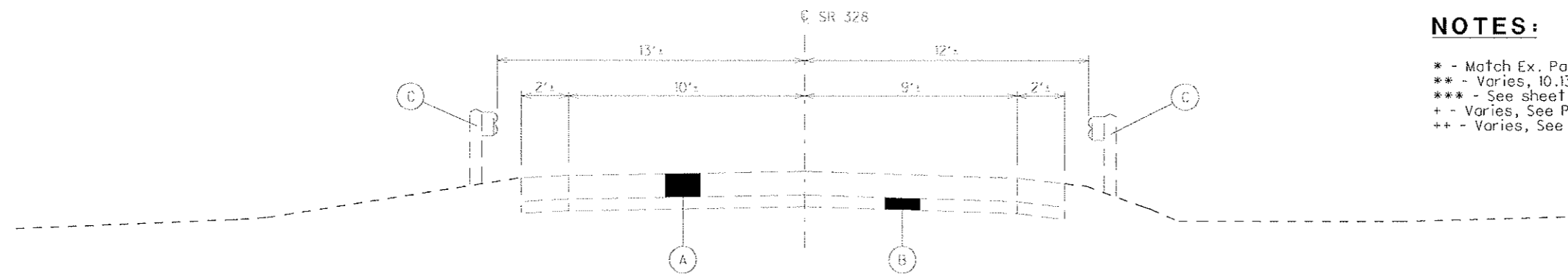
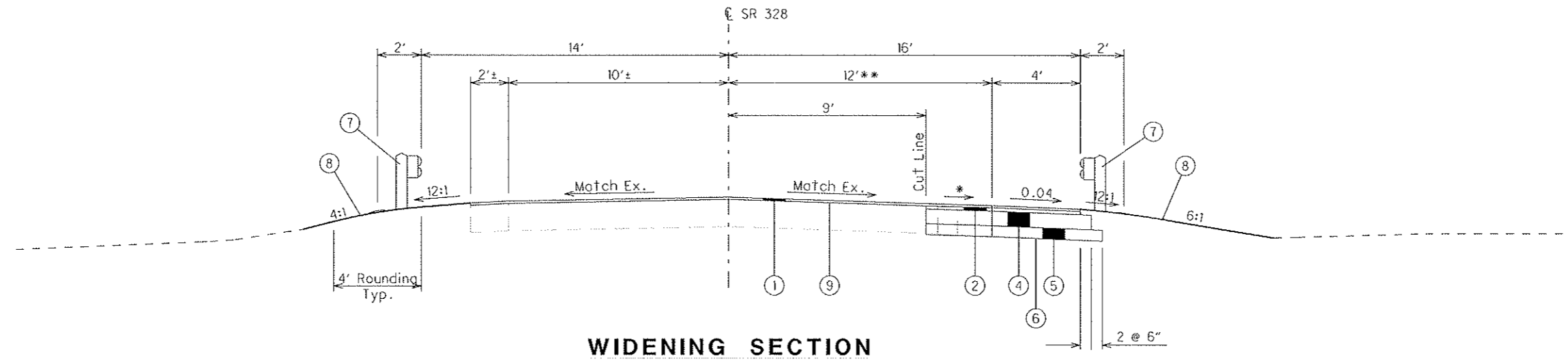


NOTES:

- * - Match Ex. Pavement Slope
- ** - Varies, 10.13' @ Sta. 312+25 to 12' @ Sta. 312+85
- *** - See sheet 35 of 45 for section over culvert
- + - Varies, See Pavement Elevation Table
- ++ - Varies, See Cross Sections

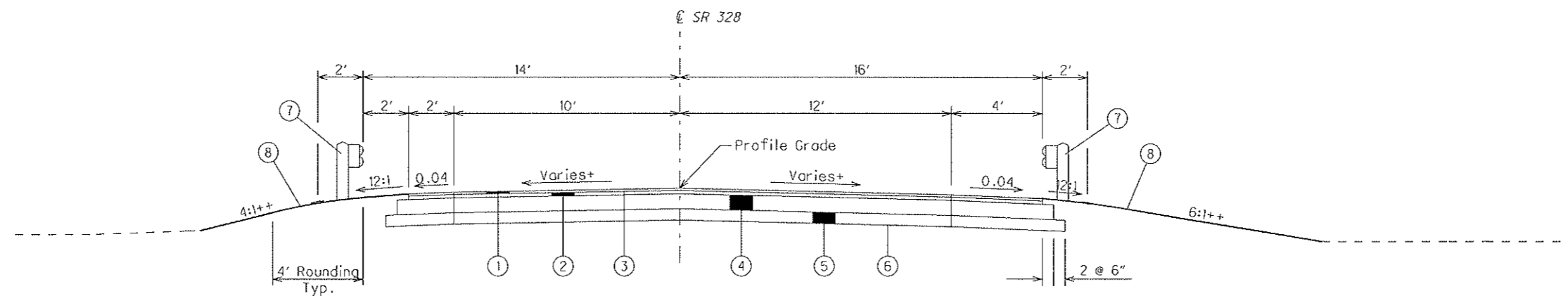


EXISTING SECTION



WIDENING SECTION

Sta. 312+25 to Sta. 312+90



FULL DEPTH SECTION

Sta. 312+90 to Sta. 313+57***

LEGEND

- ① ITEM 448 - 1/4" ASPHALT CONCRETE SURFACE COURSE, TYPE 1, PG64-22
- ② ITEM 448 - 1/4" ASPHALT CONCRETE INTERMEDIATE COURSE, TYPE 2, PG64-22
- ③ ITEM 407 - TACK COAT FOR INTERMEDIATE COURSE
- ④ ITEM 301 - 7" ASPHALT CONCRETE BASE, PG64-22
- ⑤ ITEM 304 - 6" AGGREGATE BASE
- ⑥ ITEM 204 - SUBGRADE COMPACTION
- ⑦ ITEM 606 - GUARDRAIL, TYPE 5
- ⑧ ITEM 659 - SEEDING AND MULCHING
- ⑨ ITEM 407 - TACK COAT
- A Asphalt Concrete
- B Aggregate Base
- C Existing Guardrail

PAVEMENT ELEVATION TABLE

LT SHOULDER OFFSET	LT SHOULDER ELEVATION	E.P. OFFSET	E.P. ELEVATION	LT SUPER	STATION	ELEVATION	RT SUPER	E.P. ELEVATION	E.P. OFFSET	RT SHOULDER ELEVATION	RT SHOULDER OFFSET
12'	770.77	10'	770.85	-0.017	312+90	771.02	-0.028	770.68	12'	770.52	16'
12'	770.81	10'	770.89	-0.017	313+00	771.06	-0.024	770.77	12'	770.61	16'
12'	770.76	10'	770.84	-0.018	313+25	771.02	-0.013	770.86	12'	770.70	16'
12'	770.47	10'	770.55	-0.019	313+50	770.74	-0.002	770.72	12'	770.56	16'
12'	770.36	10'	770.44	-0.019	313+57	770.63	+0.001	770.64	12'	770.48	16'