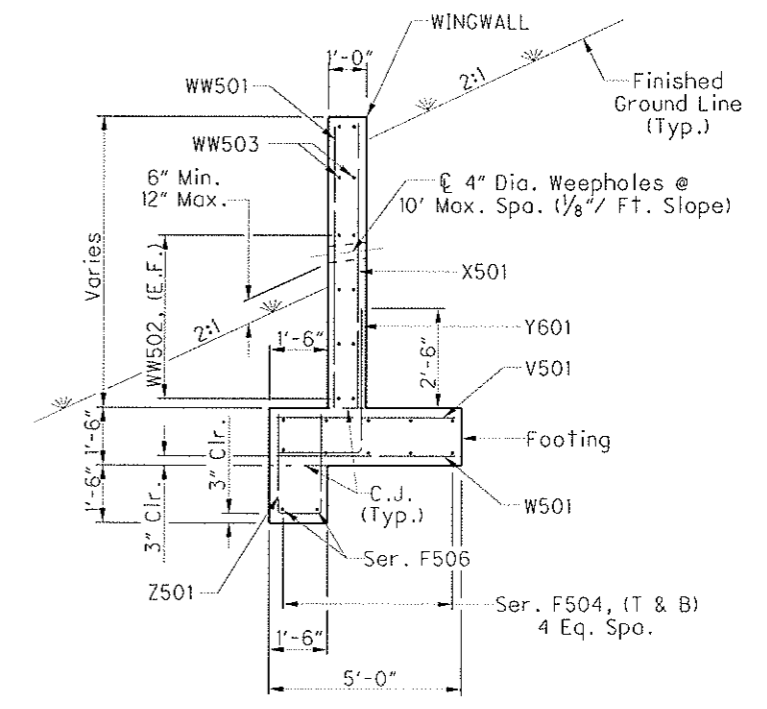
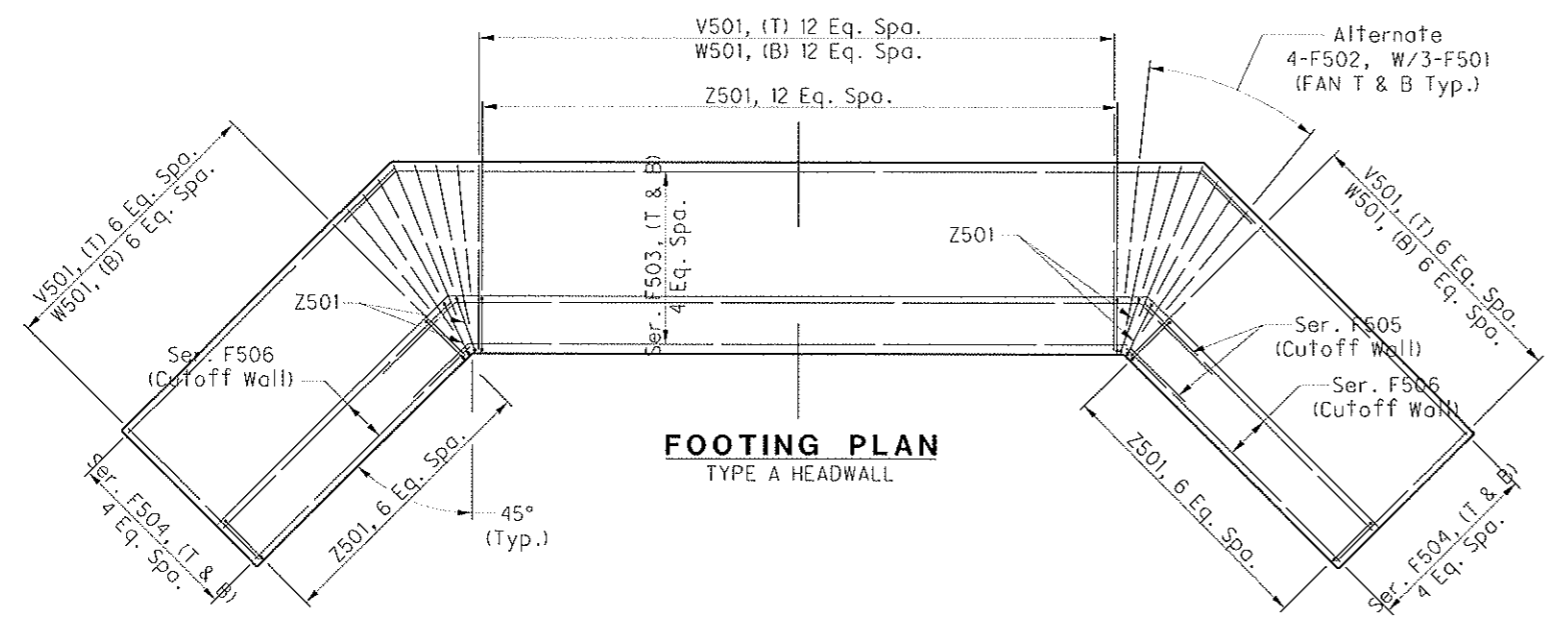


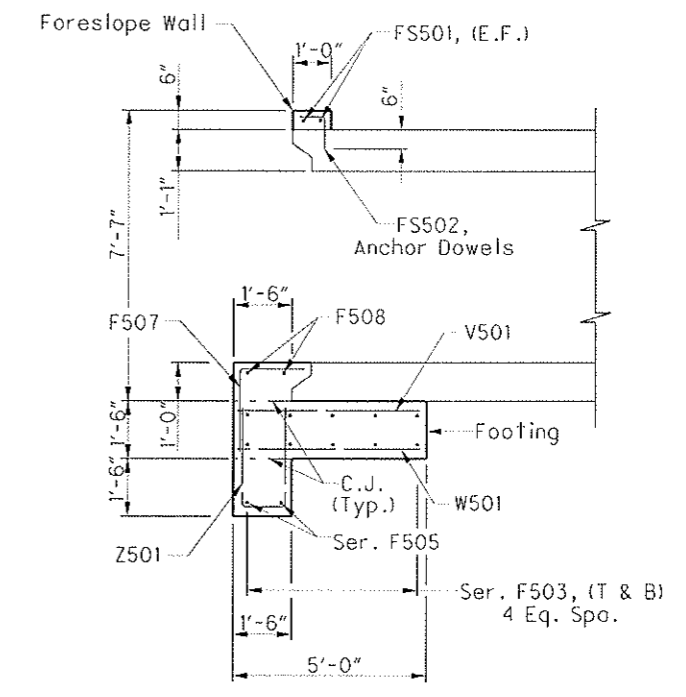
**WINGWALL ELEVATION**  
(FOOTING NOT SHOWN)



**SECTION A-A**  
(POROUS BACKFILL NOT SHOWN FOR CLARITY)



**FOOTING PLAN**  
TYPE A HEADWALL



**SECTION B-B**  
CULVERT INLET BEVEL SHOWN

**NOTES**

1. FOR CULVERT SITE PLAN, SEE SHEET 1/6.
2. FOR PRECAST BOX CULVERT DETAILS, SEE SHEET 3/6.
3. THE BAR SIZE NUMBER IS SPECIFIED ON THE PLANS IN THE BAR MARK COLUMN. THE FIRST DIGIT INDICATES THE BAR SIZE NUMBER. FOR EXAMPLE, WW501 IS A No. 5 BAR. BAR DIMENSIONS SHOWN ARE OUT TO OUT. ALL REINFORCING STEEL SHALL BE EPOXY COATED.
4. THE LAP SPLICE LENGTHS USED IN THESE DETAILS ARE AS FOLLOWS: 2'-5" FOR No. 5 BARS; 2'-11" FOR No. 6 BARS.

**LEGEND:**

C.J.	CONSTRUCTION JOINT	N.F.	NEAR FACE
Clr.	CLEAR	Ser.	SERIES
Dia.	DIAMETER	STR	STRAIGHT
E.F.	EACH FACE	(T)	TOP
F.F.	FAR FACE	(B)	BOTTOM
Max.	MAXIMUM	(T & B)	TOP AND BOTTOM
Min.	MINIMUM	Typ.	TYPICAL
PEJF	PREFORMED EXPANSION JOINT FILLER	Inc.	INCREMENT