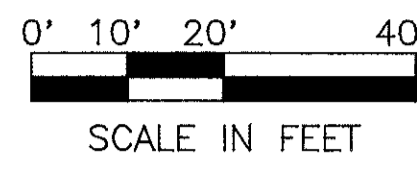


R/W PLAN

HOC-328-2.23
STARR TOWNSHIP
HOCKING COUNTY
T-12N, R-16W
SECTION 20

CALCULATED BY: JSS DATE: 11/13/92	HOC-328-2.23	OHIO
CHECKED BY: SSK DATE: 11/13/92		FHWA REGION 5

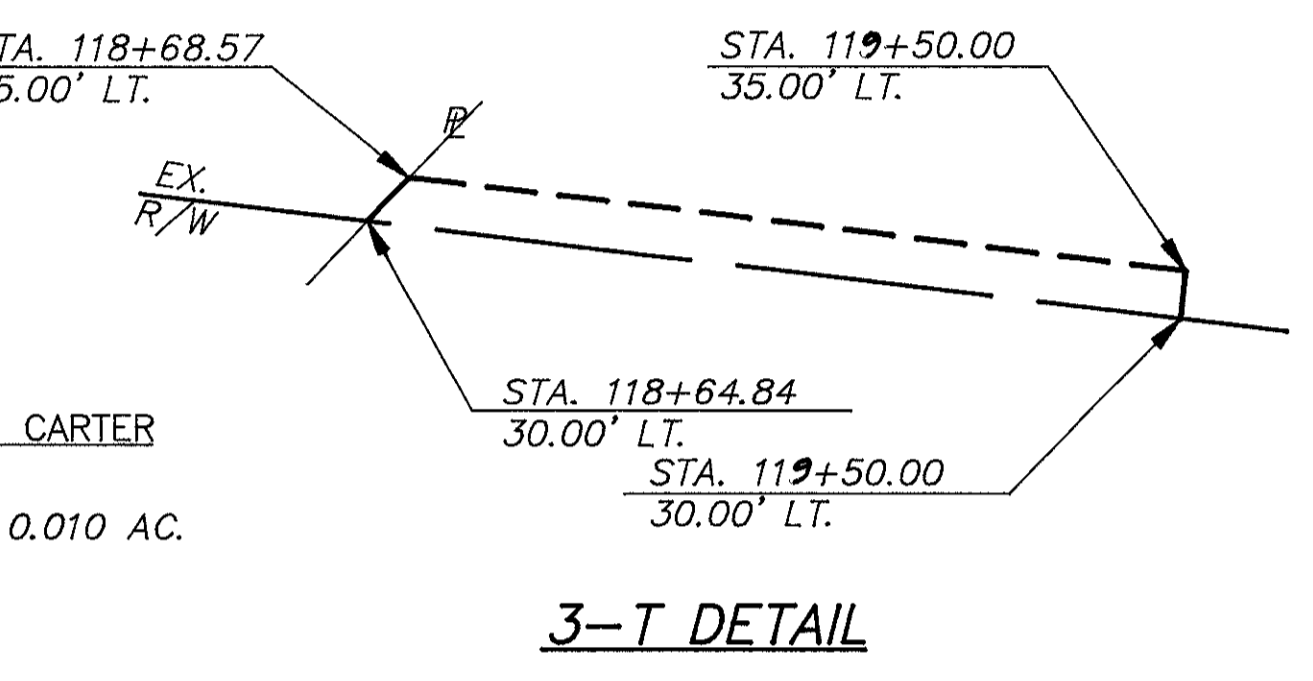
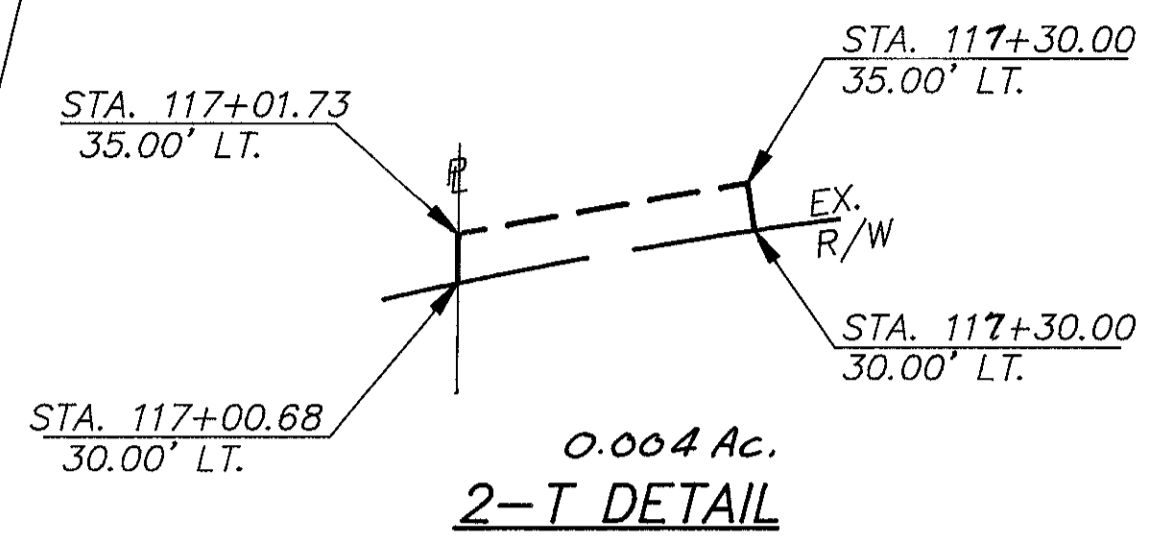
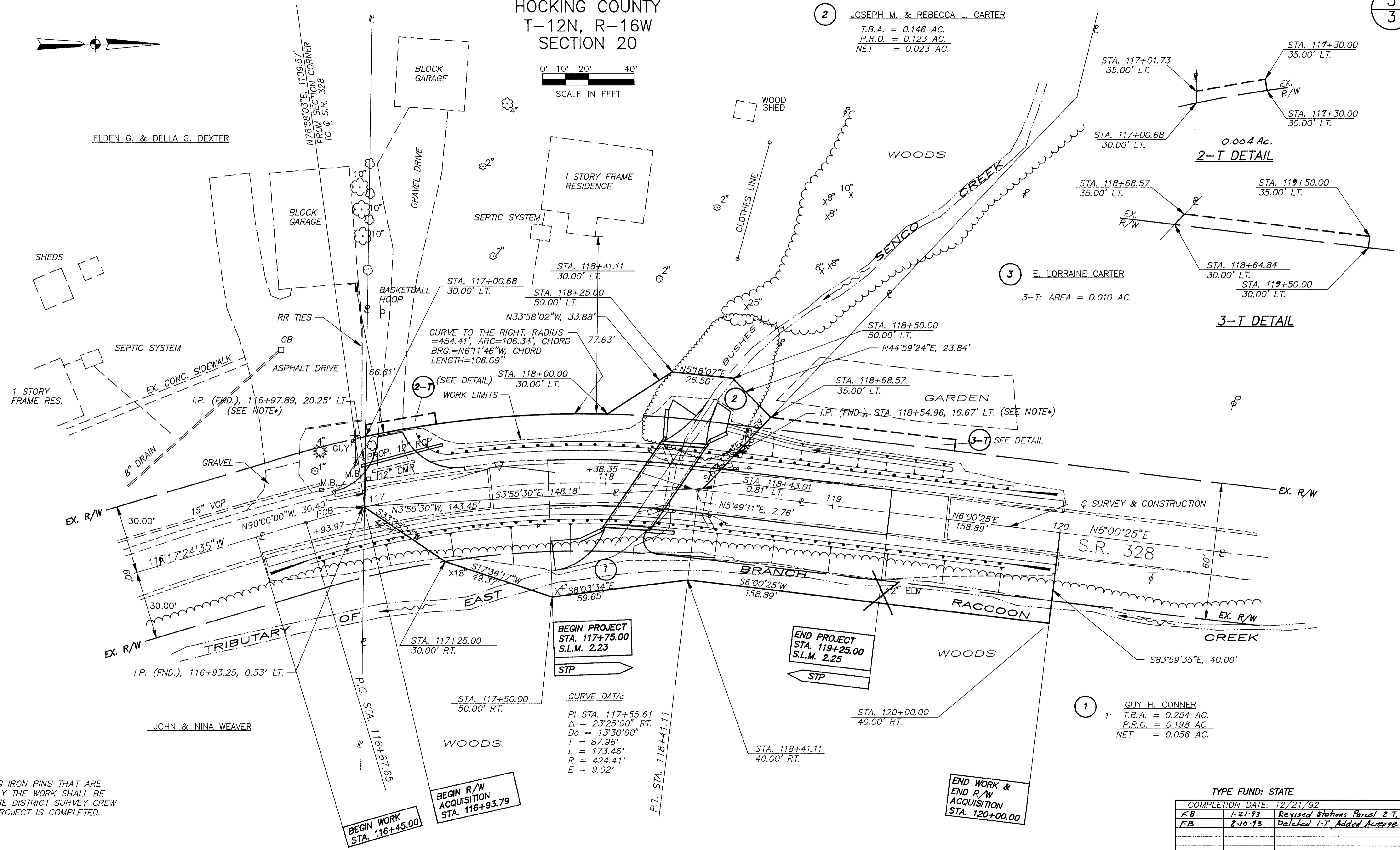
20
20
3
3



2 JOSEPH M. & REBECCA L. CARTER
T.B.A. = 0.146 AC.
P.R.O. = 0.123 AC.
NET = 0.023 AC.

3 E. LORRAINE CARTER
3-T: AREA = 0.010 AC.

1 GUY H. CONNER
1: T.B.A. = 0.254 AC.
P.R.O. = 0.198 AC.
NET = 0.056 AC.



BEGIN PROJECT
STA. 117+75.00
S.L.M. 2.23
STP

END PROJECT
STA. 119+25.00
S.L.M. 2.25
STP

CURVE DATA:
PI STA. 117+55.61
 $\Delta = 23^{\circ}25'00''$ RT.
 $D_c = 13^{\circ}30'00''$
 $T = 87.96'$
 $L = 173.46'$
 $R = 424.41'$
 $E = 9.02'$

BEGIN WORK
STA. 116+45.00

BEGIN R/W ACQUISITION
STA. 116+93.79

END WORK &
END R/W ACQUISITION
STA. 120+00.00

NOTE*
ANY EXISTING IRON PINS THAT ARE DISTURBED BY THE WORK SHALL BE RESET BY THE DISTRICT SURVEY CREW WHEN THE PROJECT IS COMPLETED.

TYPE FUND: STATE

COMPLETION DATE: 12/21/92	
F.B.	1-21-93 Revised Stations Parcel 2-T, 3-T
F.B.	2-10-93 Deleted 1-T, Added Acreage to 2-T
REV.	DATE