

HOCKING COUNTY SECTION 13 TOWNSHIP 11N RANGE 18W BENTON TOWNSHIP

THE PROPOSED RIGHT OF WAY SHALL BE REFERENCED FROM THE CENTERLINE OF S.R. 374.

REFERENCE MONUMENT AND RIGHT OF WAY MONUMENTS ARE SHOWN ON STANDARD CONSTRUCTION DRAWING MC-1 (REV. 6-13-69) OF THE OHIO DEPARTMENT OF TRANSPORTATION. THE PLACING OF THE MONUMENTS SHALL BE UNDER THE DIRECTION OF THE OF A REGISTERED SURVEYOR, AND ARE TO BE SET, AS SHOWN BY THE CONTRACTOR AT THE TIME OF CONSTRUCTION. ANY ALTERATIONS, WITH PRIOR APPROVAL OF THE OHIO DEPARTMENT OF TRANSPORTATION, SHALL BE NOTED AND O.D.O.T. SHALL BE NOTIFIED OF THE NEW LOCATIONS (SURVEY OPERATIONS MANAGER.) THE ACCURACY SHALL BE +/- 0.02 FOOT.

NOTE: THE EXISTING RIGHT OF WAY WIDTH AND LOCATION WERE DETERMINED USING:

- HOCKING COUNTY COMMISSIONER'S RESOLUTION DATED DECEMBER 23, 1936.

BASIS OF BEARINGS
THE BASIS OF BEARINGS ARE THOSE OF AN ARBITRARY MERIDIAN AND ARE USED TO DENOTE ANGLES ONLY.

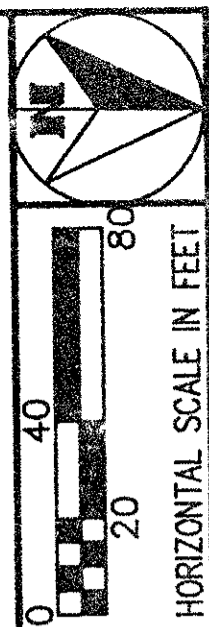
MONUMENTS TO BE SET DURING CONSTRUCTION			
STATION	DISTANCE FROM ϕ OF SURVEY		NUMBER
	LEFT	RIGHT	
96+00.00	30.00'	30.00'	2
PC 97+21.42	50.00'	50.00'	2
PT 99+32.00	50.00'	50.00'	2
PC 102+15.67	30.00'		1
102+25.93		29.84'	1
TOTAL:			8 *

NOTE: MONUMENT STATIONING ON CURVES TO BE CARRIED FORWARD FROM THE REAR TANGENT.

* QUANTITY CARRIED TO GENERAL SUMMARY SHEET

LEGEND

● = CENTERLINE REFERENCE MONUMENT

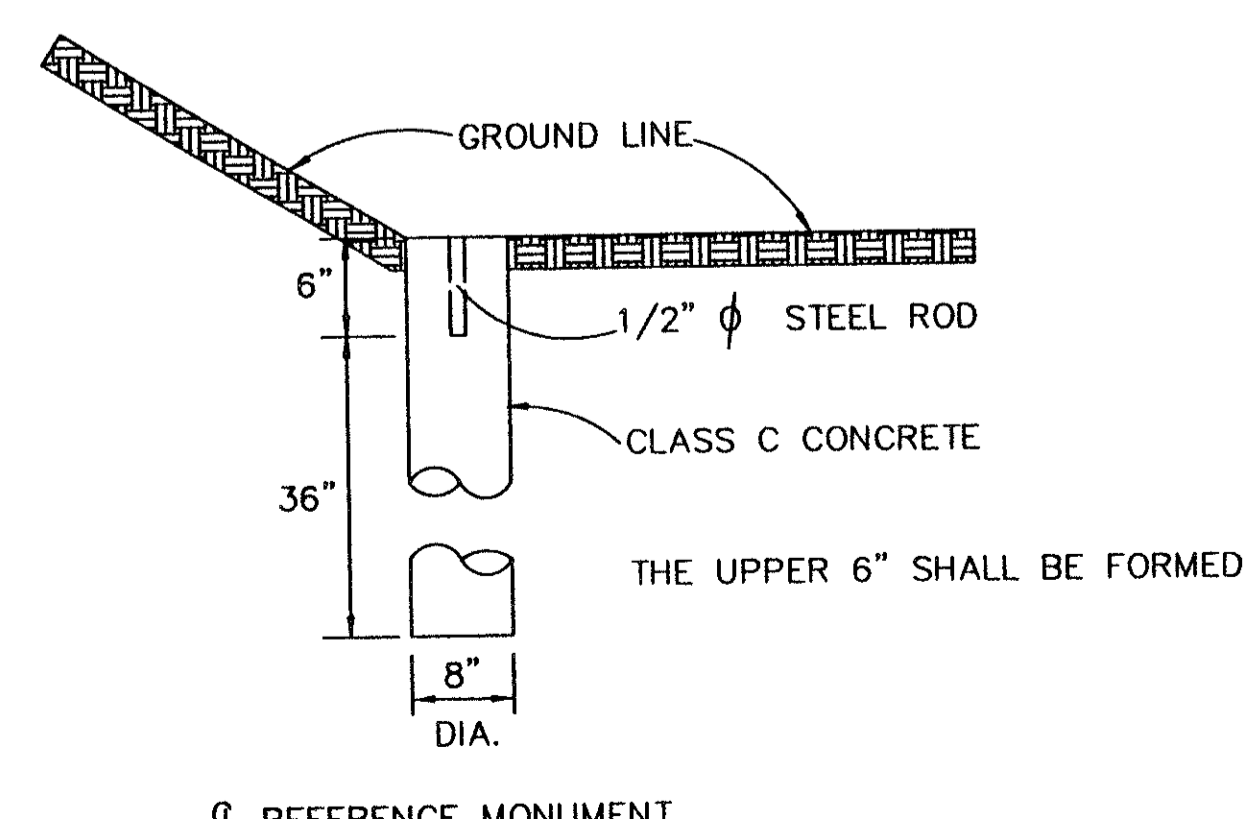
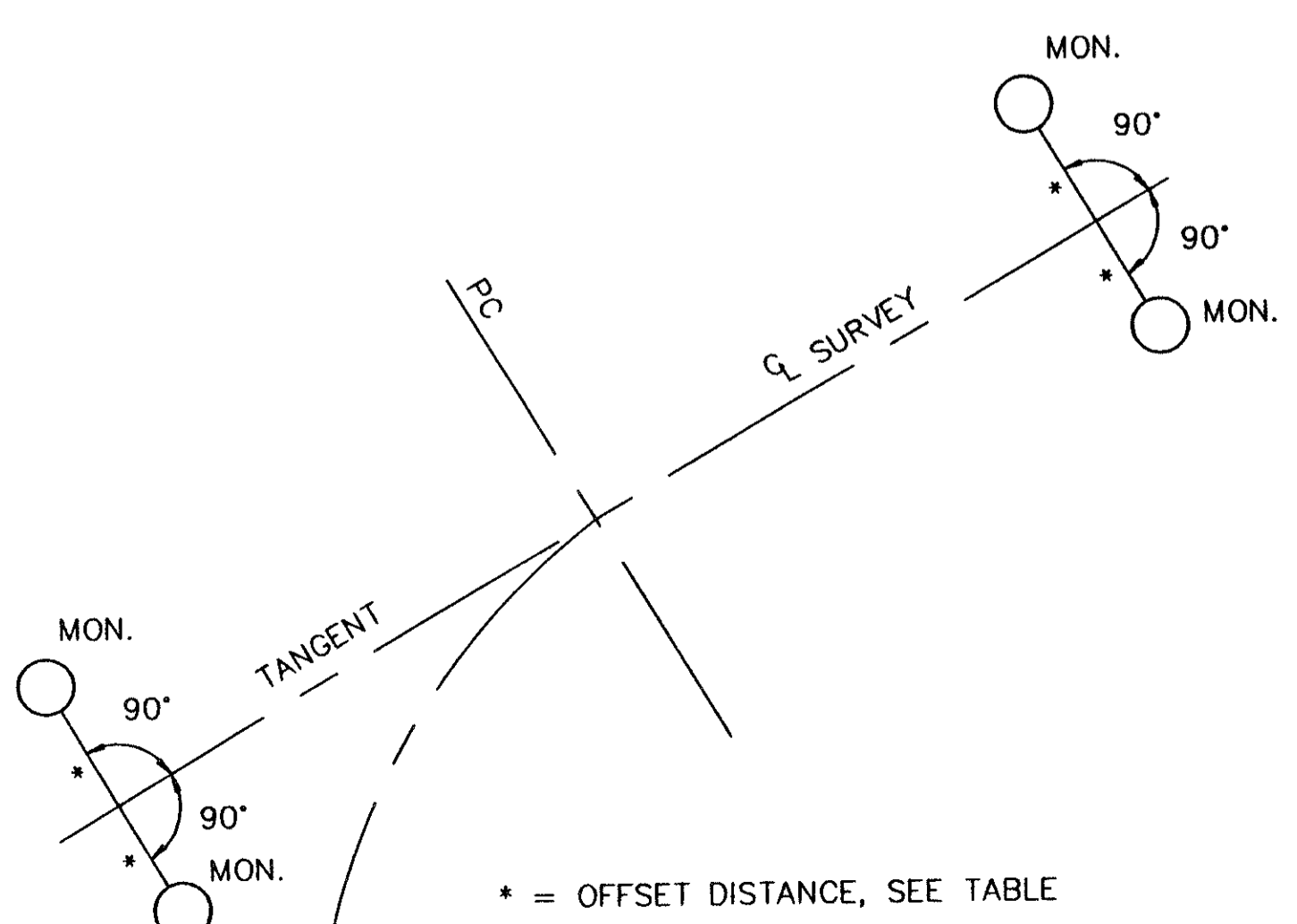
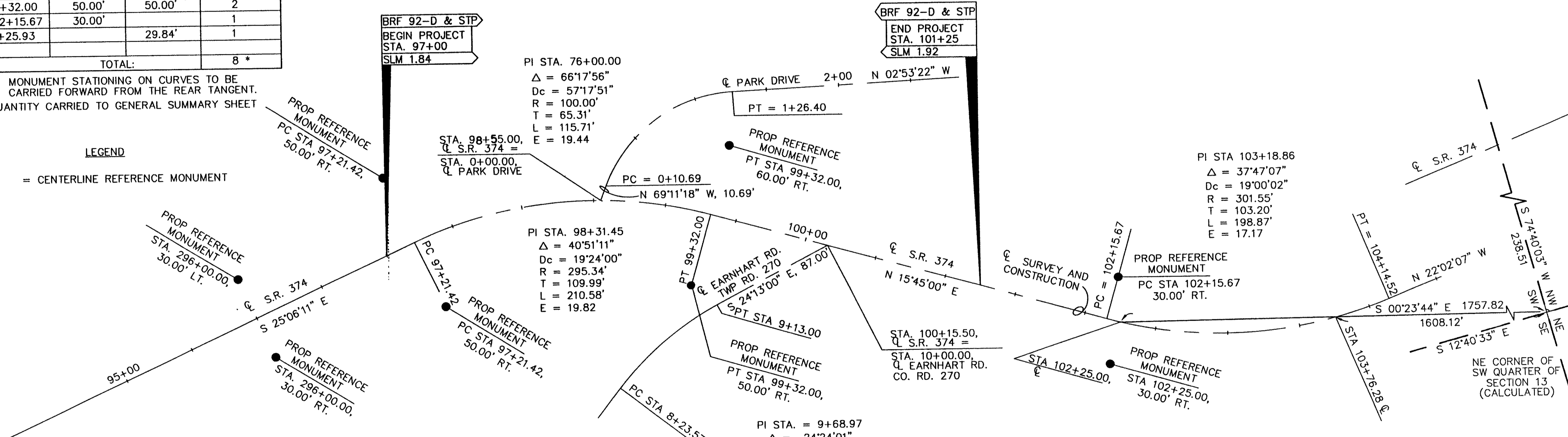


FEDERAL PROJECT NO. BRF 92-D STP

STATE JOB NO. 109290

CENTERLINE PLAT

HOC-374-0184

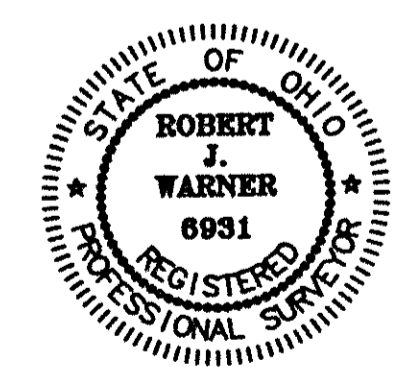


I HEREBY CERTIFY THAT THIS PLAT IS A TRUE DELINEATION OF A SURVEY MADE FOR THE OHIO DEPARTMENT OF TRANSPORTATION IN 1996 BY ENVIRONMENTAL DESIGN GROUP, INC.

THE ESTABLISHMENT OF PROPERTY LINES AND EXISTING RIGHT OF WAY LINES SHOWN ON THIS PLAN AS OF THIS DATE WAS PERFORMED BY ME OR UNDER MY DIRECT SUPERVISION.

BY: Robert J. Warner
ROBERT J. WARNER

SURVEYOR NO.: 6931 DATE: 6-28-96



RECEIVED: _____, 19____
RECORDED: _____, 19____
BOOK _____ PAGE _____
_____ COUNTY RECORDER

STATE			
GRS	9/5/96	CHANGE ϕ STA SR 374 AT ϕ PARK DRIVE	48
REV.	DATE:	DESCRIPTION	49
DATE OF COMPLETION 6/28/96			