

CENTERLINE SURVEY PLAT

HOC-595-0.53

HOCKING COUNTY GREEN TOWNSHIP

T-13-N, R-16-W, SEC. 14 LOT NO. 6

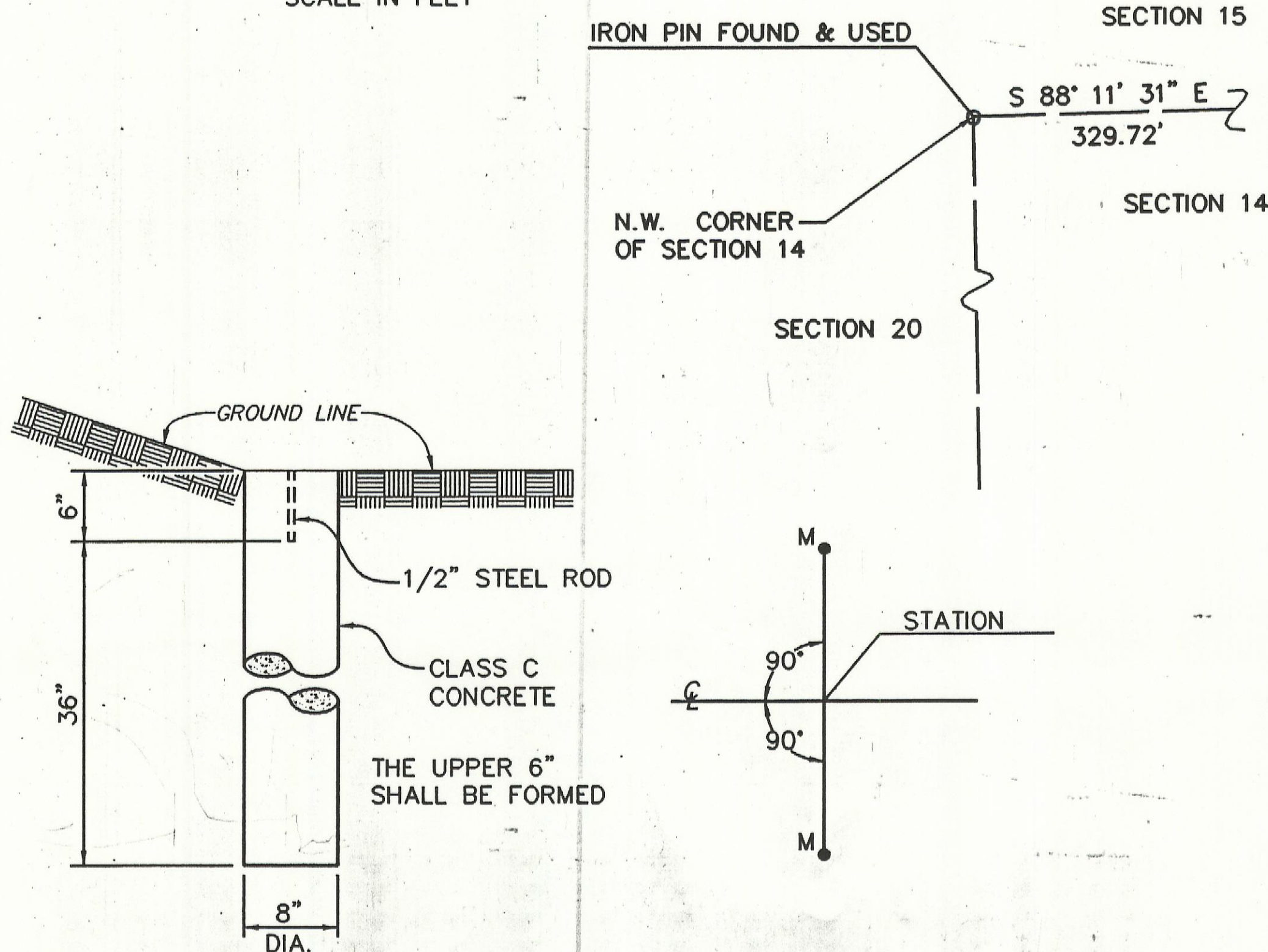
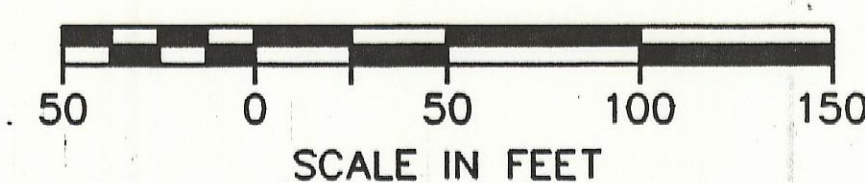
FHWA REGION	STATE	PROJECT	
5	OHIO		

30
33

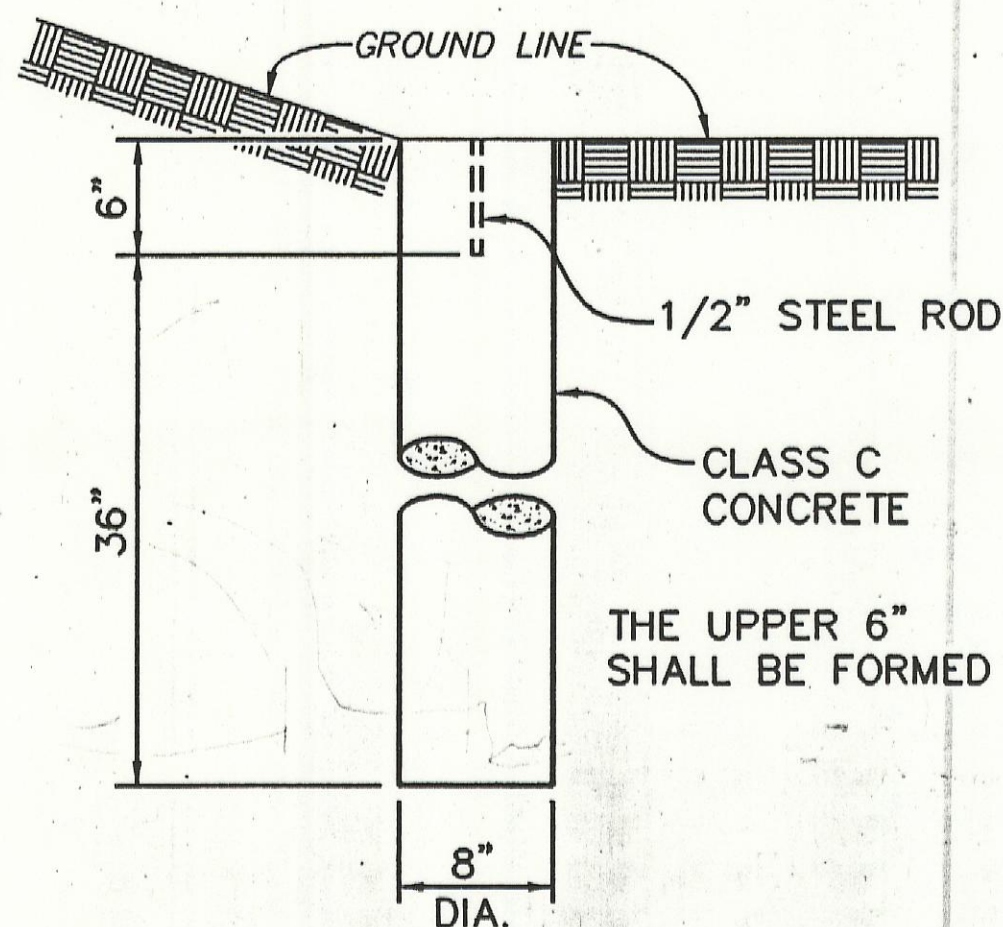
HOCKING COUNTY
HOC-595-0.53
RIGHT OF WAY

1
4

PID No. 10211
S.J.N. 108910



CURVE No. 2
 $\Delta = 1^{\circ}-16'-26''$, LT.
 $D = 0^{\circ}-37'-00''$
 $T = 103.28'$
 $R = 9291.21'$
 $L = 206.56'$
 $C = 206.55'$
 $P.C. = 31+45.01$
 $P.I. = 32+48.29$
 $P.T. = 33+51.57$
 $CH.BR. = N 40^{\circ}-24'-26'' E$



☉ REFERENCE MONUMENT

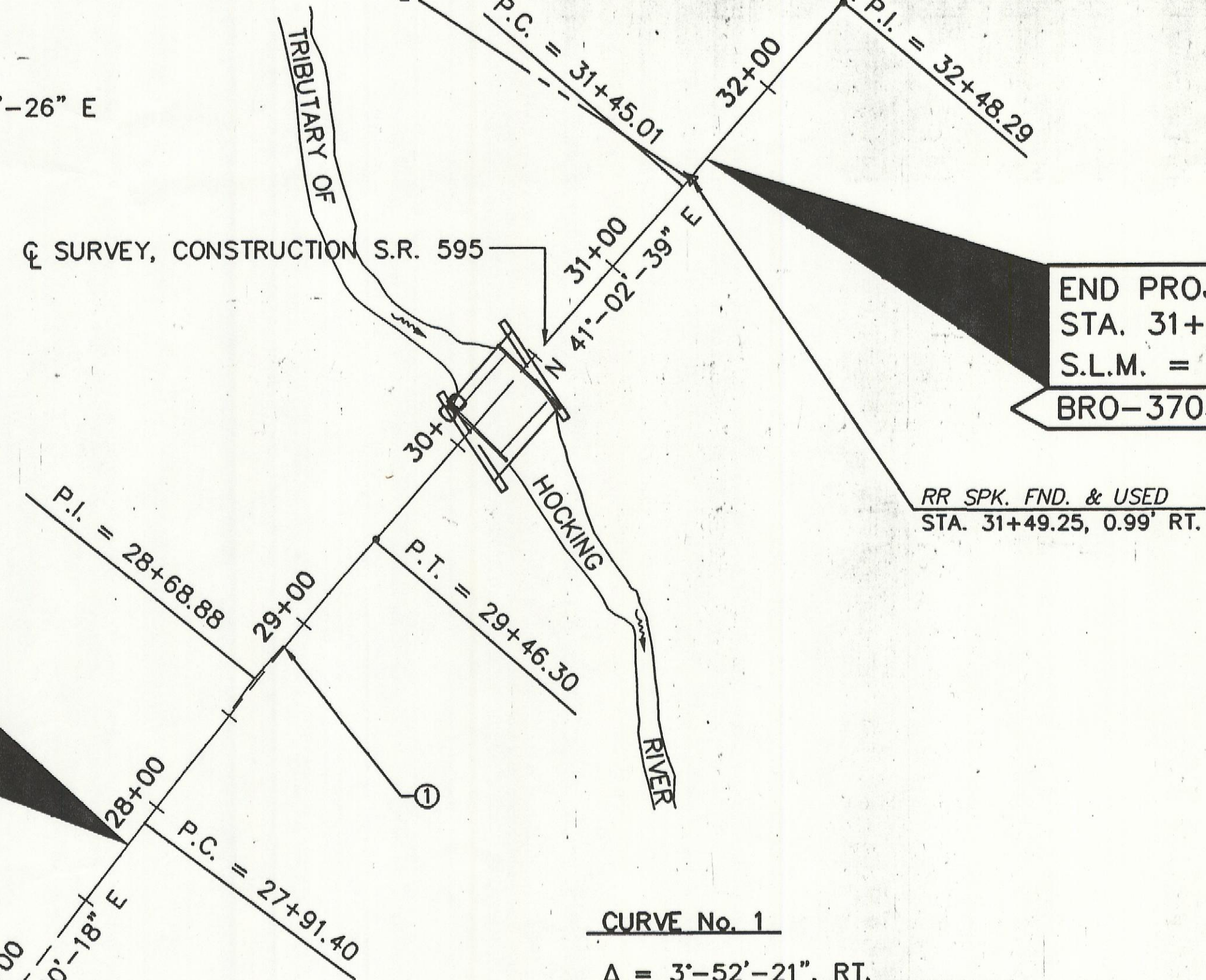
NOTE: ITEM 604, CENTERLINE REFERENCE MONUMENTS SHALL BE SET BY THE CONTRACTOR, AS SHOWN ON THESE PLANS. DURING CONSTRUCTION, THE MONUMENTS WILL HAVE AN ACCURACY OF ± 0.02 FT. THE MONUMENT WILL BE SET UNDER THE DIRECTION OF THE DISTRICT 10 SURVEY OPERATIONS MANAGER.

CENTERLINE REFERENCE MONUMENTS TO BE PLACED AT THE FOLLOWING LOCATIONS					
STA.	DISTANCE		STA.	DISTANCE	
	LT.	RT.		LT.	RT.
P.C. 27+91.40	35'	30'			
P.T. 29+46.30	35'	40'			
P.C. 31+45.01	35'	30'			
P.O.C. 32+50	25'	25'			
TOTAL	8 *				

* QUANTITY CARRIED TO GENERAL SUMMARY SHEET No. 12

BRO-3703 (1)
 BEGIN PROJECT
 STA. 27+80
 S.L.M. = 0.53

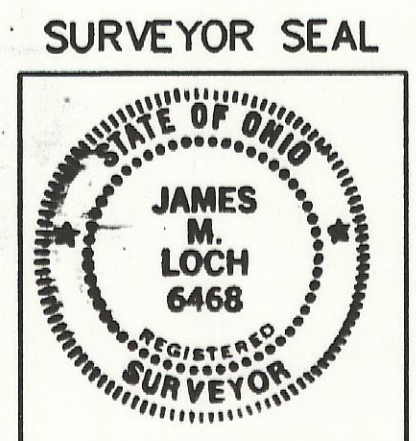
END PROJECT
 STA. 31+60
 S.L.M. = 0.60
 BRO-3703 (1)



CURVE No. 1
 $\Delta = 3^{\circ}-52'-21''$, RT.
 $D = 2^{\circ}-30'-00''$
 $T = 77.48'$
 $R = 2291.83'$
 $L = 154.90'$
 $C = 154.87'$
 $P.C. = 27+91.40$
 $P.I. = 28+68.88$
 $P.T. = 29+46.30$
 $CH.BR. = N 39^{\circ}-06'-29'' E$

I HEREBY CERTIFY THIS PLAT TO BE A TRUE DELINEATION OF A SURVEY MADE FOR OHIO DEPARTMENT OF TRANSPORTATION IN 1992 BY FINKBEINER, PETTIS, STROUT, LIMITED

James M. Loch 6468
 REGISTERED SURVEYOR No.
 NOVEMBER 22, 1993
 DATE
 DISTRICT DEPUTY DIRECTOR
 DATE



RECORDERS STAMP	
RECEIVED _____	DATE _____
RECORDED _____	DATE _____
PLAT BOOK _____ PAGE _____	
FEE _____	
SIGNED _____	HOCKING COUNTY RECORDER

PLAN COMPLETION DATE: NOVEMBER 22, 1993

REV.	DATE	DESCRIPTION