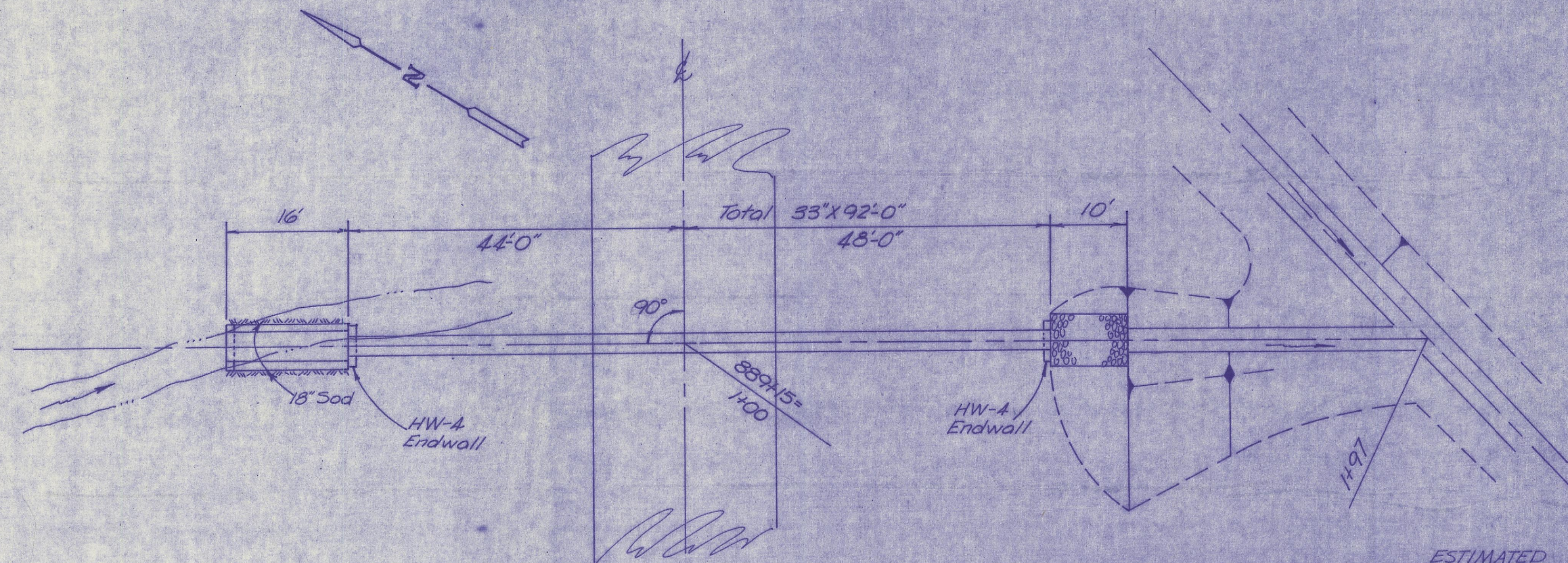


STRUCTURE HOC-93-16.84
 STA. 889+15
 Ref. No 1-D Sheet #16



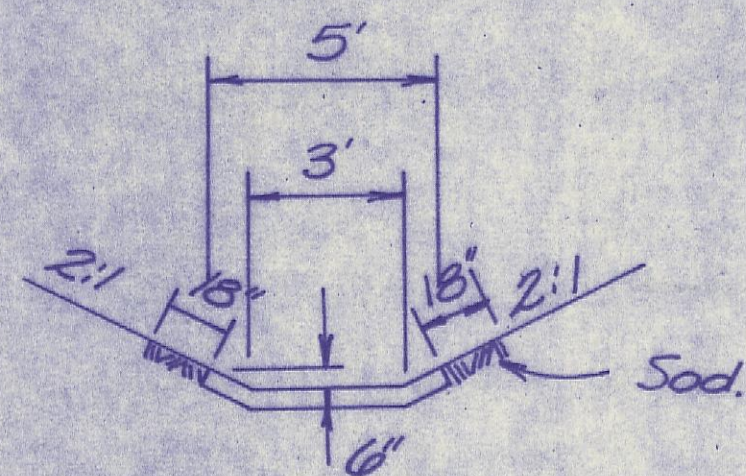
	CUT	FILL	CUT	FILL
1+97=0	0	0		
			32	14
	35	15		
769.26				
1+48				
772.49				

ESTIMATED QUANTITIES

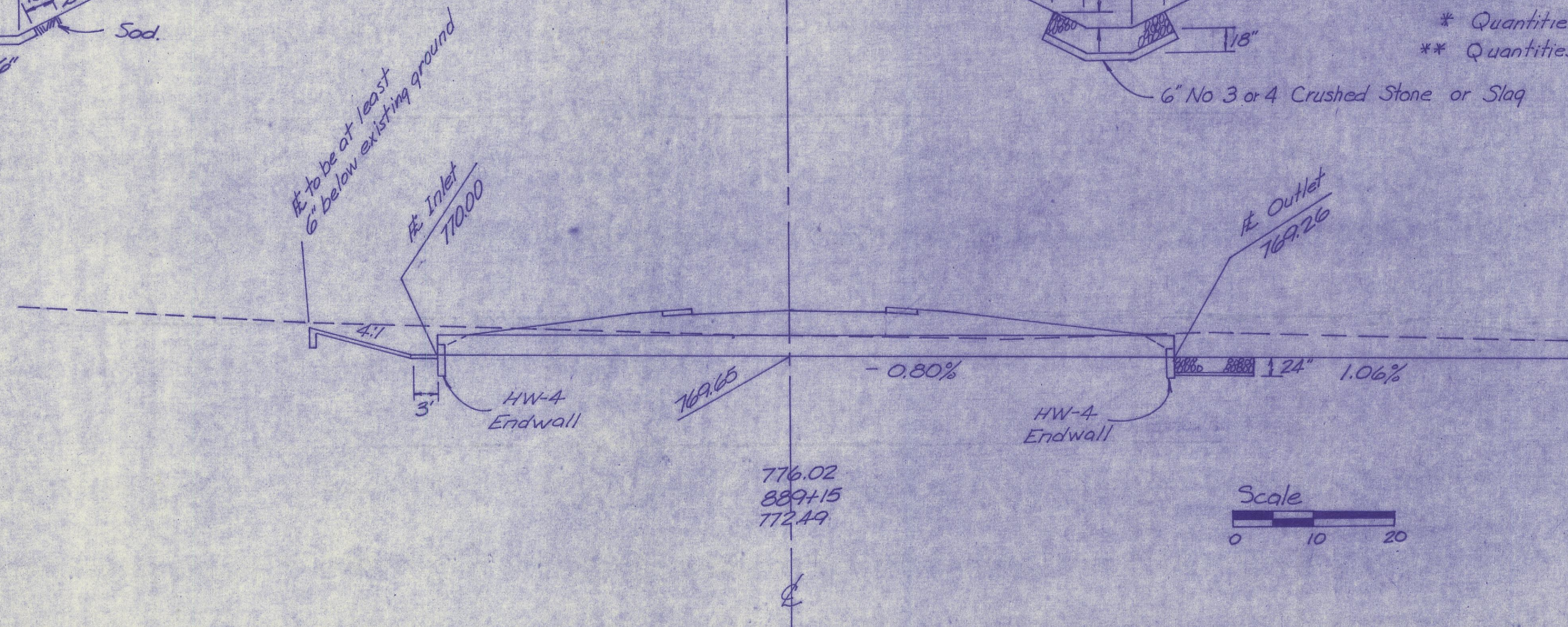
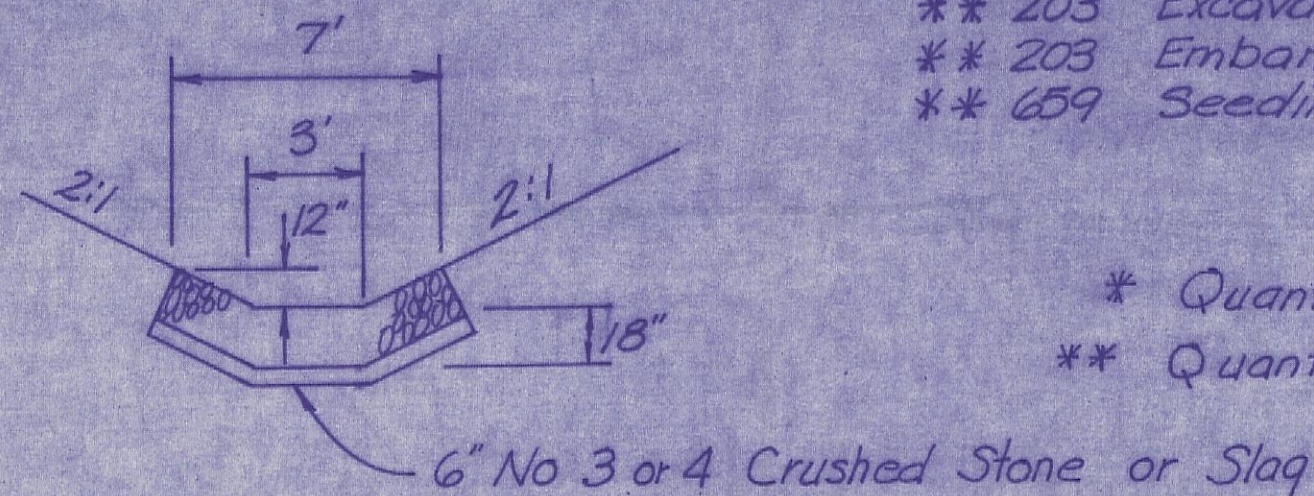
* 603 33' Conduit Type A 706.02 or 706.08 or 42' 707.05 Type C	92	Lin. Ft.
* 602 Concrete Masonry	1.84	Cu. Yd.
* 601 Riprap 6" Reinforced Concrete Slab	9	Sq. Yd.
* 601 Rock Channel Protection Type B	5	Cu. Yd.
* 660 Sodding	6	Sq. Yd.
** 203 Excavation 12 Cu. Yd. at inlet	4.4	Cu. Yd.
** 203 Embankment	14	Cu. Yd.
** 659 Seeding	80	Sq. Yd.

* Quantities to Plan Sheet 16
 ** Quantities to Cross Section Sheet 33

Riprap Detail



ROCK CHANNEL PROTECTION



DRAINAGE AREA 14 ACRES
 Q₂₅ = 45 c.f.s.

Calculated	Checked
By: F.B.	By: DS
Date: 1-17-73	Date: 1-1-73

