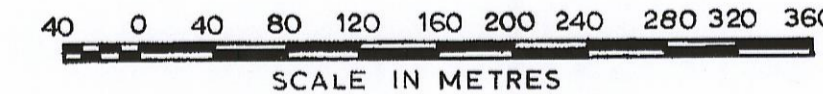


CENTERLINE PLAT

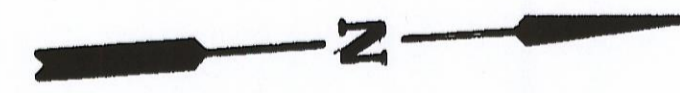
HOC-93-0.14 (0.220)

HOCKING COUNTY, WASHINGTON TOWNSHIP

T13 N; R17 W; SECTION 34



All measurements are in Metric
1 metre = 3.28083 feet



Approved Mac R. Sweeney
Date 3-1-74 District Deputy Director

1923c

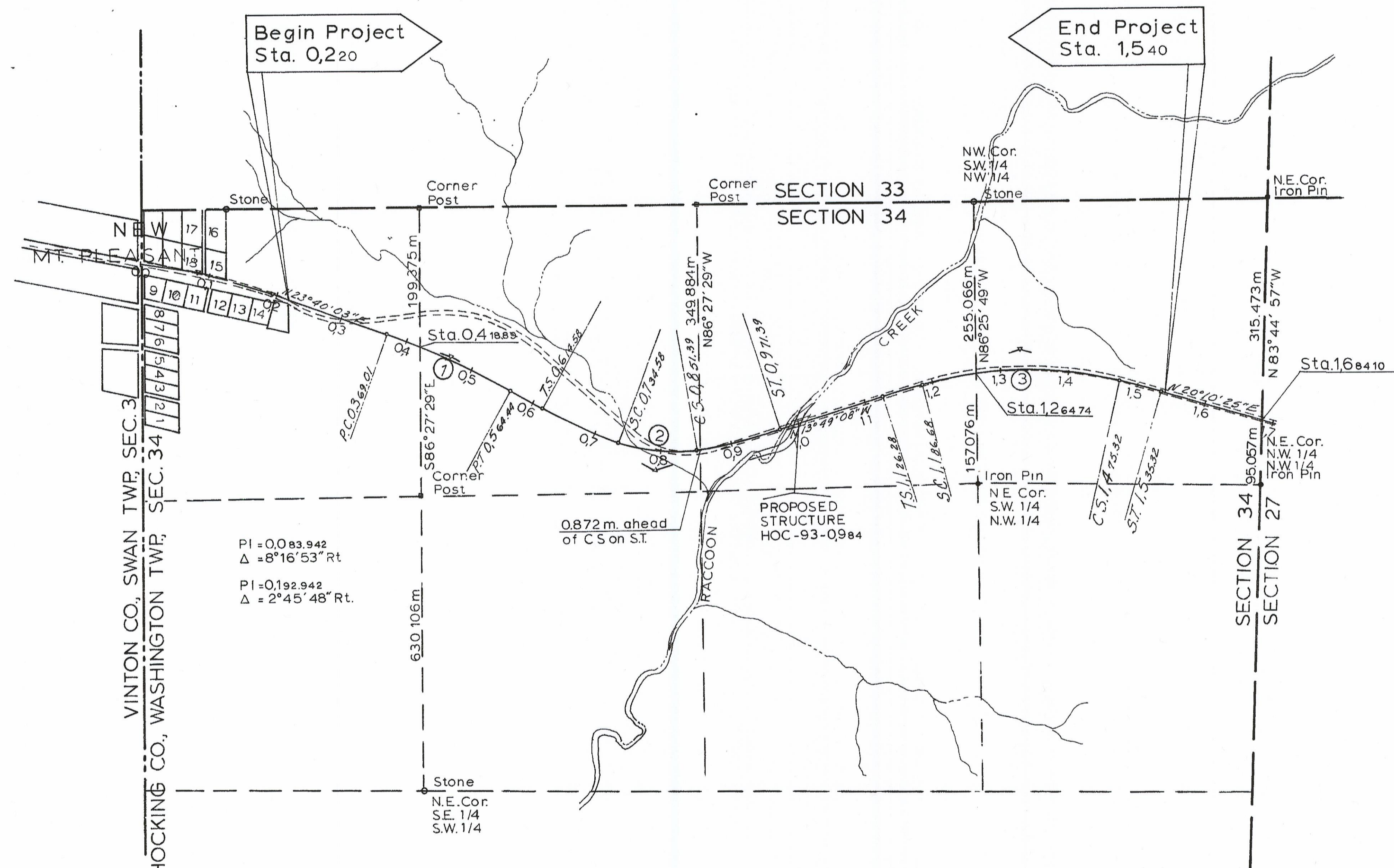
Date Received April 23, 1974
Date Recorded April 23, 1974
Book E Page 36-A
Signed Esther Carpenter
County Recorder
Date April 23, 1974

CURVE DATA

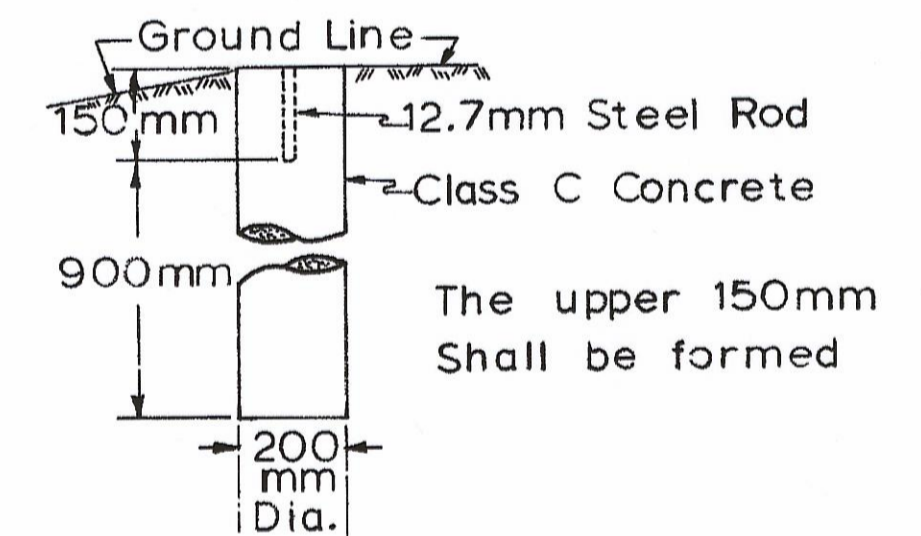
①
PI = 0.466.94
Δ = 9°16'59" Rt.
D = 4°45'
T = 97.93 m
L = 195.43 m
R = 1206.23 m

②
PI = 0.800.84
Δ = 46°46'10" Lt.
D = 19°45'
Ts = 186.26 m
Lc = 116.81 m
Rc = 290.11 m
Θs = 1°51'
Ls = 120.00 m
L.T. = 80.18 m
S.T. = 40.16 m

③
PI = 1.336.38
Δ = 33°59'33" Rt.
D = 9°45'
Ts = 209.70 m
Lc = 288.64 m
Rc = 587.65 m
Θs = 2°55'30"
Ls = 60.00 m
L.T. = 40.01 m
S.T. = 20.01 m



Item 604 Center Line Reference Monuments shall be set by the Contractor as per sketch below
Accuracy Tolerance shall be ± .5mm



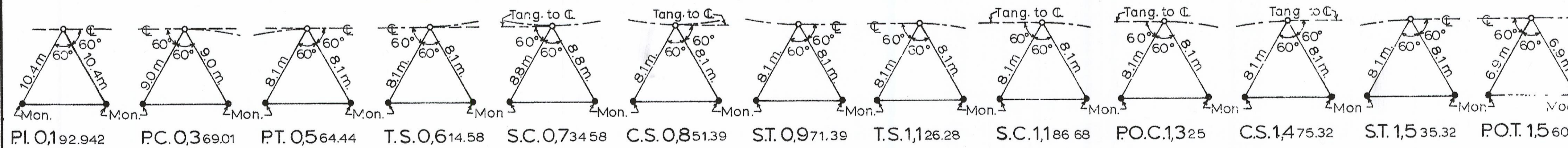
☞ REFERENCE MONUMENTS

I hereby certify that this plat is a true delineation of a survey made for the Ohio Department of Transportation.

Signed William D. Sweeney
Registered Surveyor No. 5116
Date 3/1/74

SURVEYORS SEAL

CENTERLINE REFERENCE MONUMENTS WILL BE SET DURING CONSTRUCTION AS SHOWN BELOW



HOC-93-0,220	
DATE	DRAWN BY
	REVISIONS
JOB NO. 10944(O)	1
TYPE FUND STATE	8

CENTERLINE PLAT